



CITY OF FORT WAYNE

THOMAS C. HENRY, MAYOR

City of Fort Wayne Street Light Standards Residential Developments

Coachman / Town and Country Luminaire:

LED light fixtures and poles shall be installed (as a minimum) in each Cul-de-sac and at every intersection. Pole spacing on roadways between intersections shall be spaced at maximum of 250' apart or as directed by the Engineer. LED light fixtures shall be American Electric 247L P104 MVOLT 30K R3 (or R5) AY-BK-SCC-NR-L1H or Leotek PTC-S-F-TA-30J-MV-30K-3-BK-C. Provide "R5" distribution light fixtures at intersections and center islands. Provide "R3" distribution light fixtures at all other locations.

POLE:

Poles for Coachman style luminaires in residential areas shall be 16' direct bury fiberglass type. Fiberglass poles shall be Shakespeare brand model #BS16-01-S1-BE-15.

Poles shall be backfilled with #53/73 crushed limestone to a depth no greater than 12" below finish grade, compacted in lifts. The top 12" of backfill may be spoil or topsoil.

Install pole identification labels at 7'-0" above grade on side of pole facing street. Labels provided by City.

WIRE:

3/C#6 XHHW-2 tray cable or THWN/THHN (Latter two must be labeled "UV resistant").

No wire terminations or splices shall be allowed in bore tube or conduit. All terminations and splices shall be inside of light poles or in approved handholes. Terminations inside poles shall be either pre-approved split bolts wrapped in 33 vinyl tape over rubber tape, or Burndy brand YHO-1 crimps wrapped in 33 vinyl tape over rubber tape, with plastic covers. Terminations in hand holes shall use a pre-approved waterproof method.

ENGAGE • INNOVATE • PERFORM

CITIZENS SQUARE

200 E. Berry St. • Fort Wayne, Indiana • 46802-1804 • www.cityoffortwayne.org

An Equal Opportunity Employer



CITY OF FORT WAYNE

THOMAS C. HENRY, MAYOR

HDPE CONDUIT:

1.5" OR 2" HDPE shall be Blue Diamond SDR 11 - 13.5 or approved equal and shall meet ASTM F-2160. Conduit shall be placed at a depth of 24" unless otherwise directed.

Schedule 80 PVC conduit may be used in lieu of HDPE. PVC conduit joints shall be joined with "grey" PVC adhesive. All joints shall be cleaned and primed prior to assembly. Conduit shall be placed at a depth of 24" unless otherwise directed.

SERVICE POINTS:

Lighting contactor and photocell controller shall be Ripley Lighting Controls 30 amp 2 pole part #CC302NOEISWPL1C1 or 60 amp 2 pole part #CC602NOEISWPL1C1.

REMC service points shall include a blank meter base including a metallic blank cover.

A minimum of 10 LFT of bore tube and wire shall be placed on the line side of the service to allow for terminations at the transformer by utility personnel.

For post mounted service points, provide a 2-pole 30 amp breaker in a NEMA 3R enclosure (Square D # QO2L70RB), and a lighting contactor in a NEMA 3R enclosure (Square D #8903LH20V02)

Revised 4/19/23

ENGAGE • INNOVATE • PERFORM

CITIZENS SQUARE

200 E. Berry St. • Fort Wayne, Indiana • 46802-1804 • www.cityoffortwayne.org

An Equal Opportunity Employer



Shakespeare

A valmont BRAND

Composite Light pole

S-Series

Direct Burial

**ROUND TAPERED COMPOSITE LIGHT POLE
DIRECT BURIAL INSTALLATION**

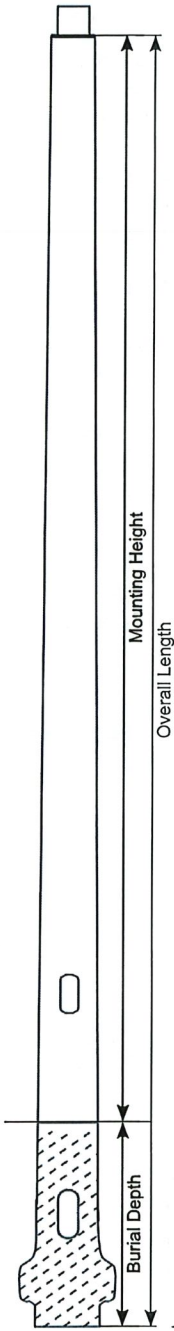
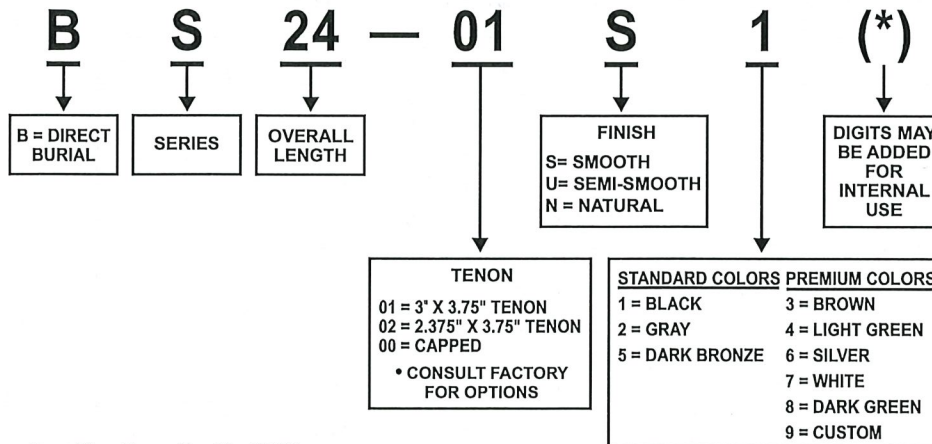
SHAKESPEARE S-SERIES DIRECT BURIAL POLES

OVERALL LENGTH	MOUNTING HEIGHT	BURIAL DEPTH	TIP DIAMETER	GROUNDLINE DIAMETER	WEIGHT
13	10	3	2.9	4.6	25
14	11	3	2.9	4.8	27
15	12	3	2.9	4.9	29
16	13	3	2.9	5.0	31
18	14	4	2.9	5.2	33
19	15	4	2.9	5.3	36
20	16	4	2.9	5.5	40
21	17	4	2.9	5.6	44
22	18	4	2.9	5.7	47
23	19	4	2.9	5.9	51
24	20	4	2.9	6.0	54
25	21	4	4.5	6.2	75
26	22	4	4.5	7.5	77
27	23	4	4.5	7.6	80
28	24	4	4.5	7.8	83
30	25	5	4.5	7.9	85
31	26	5	4.5	8.0	88
32	27	5	4.5	8.2	91
33	28	5	4.5	8.2	93
34	29	5	4.5	8.2	96
35	30	5	4.5	8.2	99

POLES LISTED IN SHADED AREA FOR SINGLE POST TOP FIXTURE ONLY AND NOT AVAILABLE CAPPED.

- Mounting heights to 30 feet
- Smooth, semi-smooth or natural finish
- 3 standard and 5 special architectural colors available
- High performance UV and weather-resistant pigmented resin system with an additional pigmented polyurethane coating.
- Tenon top
- Standard 2-1/2" x 5" handhole located 18" above grade
- Standard 2 EA - 2-1/2" x 6" wire access hole 24" below grade
- Anti-rotation flare structurally integrated into the pole base during manufacture
- Poles are individually identified with a permanent embossed tag located 9" from tip.
- Sleeved individually for shipment
- Lightweight, easy to install, saves money

ORDERING INFORMATION



S-SERIES



Shakespeare

ROUND TAPERED COMPOSITE LIGHT POLE - DIRECT BURIAL INSTALLATION

SPECIFICATIONS

1. Lighting poles shall be fiberglass reinforced composite per Shakespeare design.
2. Wind loading shall be calculated for the appropriate wind velocity with a 3 second gust factor per ASCE.
3. Effective projected area (EPA) is the actual area adjusted with the appropriate drag coefficient (shape factor) to result in an equivalent area having a drag coefficient equal to one (1) using ANSI 136.20

MATERIALS

1. The round tapered pole shall be constructed by the filament winding process from thermosetting polyester resin and contain a minimum of 65 percent "E" type fiberglass by weight. The filament windings shall be continuously applied with uniform tension and shall be placed on the pole helically at low angles to provide axial strength. Additional windings shall be placed on the pole in a circular manner to provide compressive strength.
2. The resin to make the pole shall be ultraviolet resistant and pigmented approximately the same color as the final coating to be applied. A highly weather resistant, pigmented, polyurethane coating shall be applied to the pole. The coating shall have a minimum thickness of 1.5 mils.
3. The poles shall be flame resistant per ASTM D635. Specimens must cease to burn before the gauge mark of 100mm (3.9 inches) is reached.
4. (If applicable) The poles shall be delivered predrilled and capped (if applicable) to accommodate the lighting fixture(s) or mast arm(s) specified.
5. (If applicable) Tenons shall be permanently bonded to the fiberglass shaft and shall be hot-dipped galvanized steel to ASTM A153 or shall be 6061-T6 or A356-T6 aluminum.
6. The handhole opening shall be 2.5" x 5". The handhole cover is attached with a 1/4" socket head screw.

IDENTIFICATION & PACKAGING

Each pole shall bear an identification tag which shall list the model, catalog number, month and year of manufacture.
Each pole shall be individually packaged for protection during shipping.

TESTING

The surface shall have been tested for a minimum of 5000 hours of accelerated testing in accordance with ASTM G154 (UV-A Lamp 340 NM wavelength 130° F, cycle lamp 4 hours on, 4 hours off) with the following performance results:

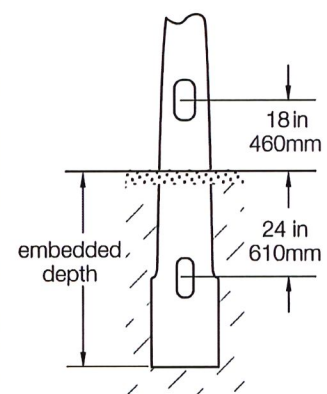
- Fiber exposure: None | Cracking: None | Chalking: None | Color: Slight dulling may occur

WIND LOADING DATA

Wind speed (mph) values calculated as per ANSI C136.20 for a 3-second gust factor.

OVERALL LENGTH	MOUNTING HEIGHT	LUMINAIRE MAX WEIGHT (LBS.)	90 MPH	100 MPH	110 MPH	120 MPH	130 MPH	140 MPH	150 MPH
13	10	75	5.5	4.1	3.2	2.4	1.9	1.6	1.3
14	11	75	5.9	4.5	3.4	2.6	2.1	1.8	1.5
15	12	75	6.0	4.5	3.4	2.6	2.1	1.8	1.5
16	13	75	6.1	4.5	3.4	2.6	2.1	1.7	1.4
18	14	75	6.3	4.7	3.5	2.7	2.2	1.8	1.5
19	15	75	6.1	4.5	3.3	2.6	2.1	1.7	1.4
20	16	75	6.3	4.6	3.4	2.7	2.2	1.8	1.5
21	17	100	5.9	4.2	3.1	2.5	2.0	1.6	1.3
22	18	100	5.7	4.1	3.0	2.4	1.9	1.5	1.2
23	19	100	5.3	3.7	2.8	2.2	1.7	1.4	1.1
24	20	100	5.6	3.9	3.0	2.3	1.9	1.5	1.2
25	21	100	8.2	6.4	5.1	4.1	3.4	2.8	2.3
26	22	100	7.5	5.8	4.6	3.7	3.0	2.5	2.1
27	23	100	6.9	5.3	4.2	3.3	2.7	2.2	1.8
28	24	100	6.3	4.9	3.8	3.0	2.4	2.0	1.6
30	25	100	5.8	4.4	3.4	2.7	2.1	1.7	1.3
31	26	100	5.3	4.0	3.1	2.4	1.9	1.5	1.1
32	27	100	4.9	3.6	2.8	2.1	1.7	1.3	0.9
33	28	100	4.4	3.3	2.5	1.9	1.4	1.1	0.7
34	29	100	3.9	2.9	2.1	1.6	1.2	0.9	0.5
35	30	100	3.5	2.5	1.8	1.3	1.0	0.7	0.3

Direct Embedded Detail



valmont
COMPOSITE STRUCTURES

City of Fort Wayne Street Lighting Leotek Town & Country Light Fixture Standard

Part #PTC-S-F-TA-S-30J-MV-30K-X-BK-XXX-C

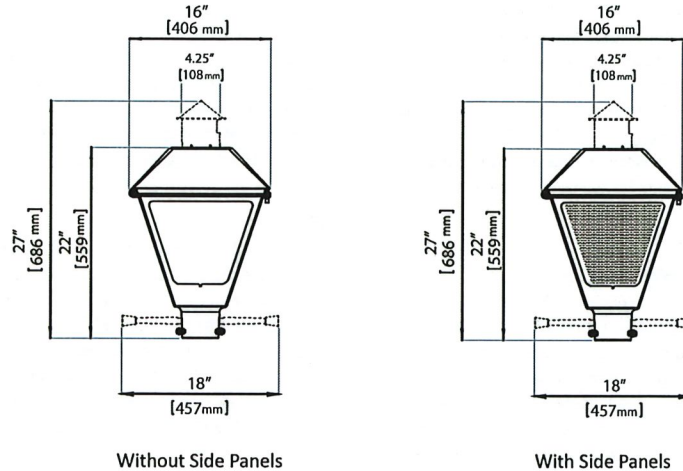


Project
Type
Catalog No.

Colonial LED Post Top PTC Series Specification Data Sheet

Luminaire Data

Weight 19.62 lbs (8.9 kg)
EPA 1.58 sq. ft.



Ordering Information

Sample Catalog No. PTC-S-F-T-S-30J-MV-40K-5-GY-055-PCR7-CR

Model	Size	Roof Style	Side Panels	LED Optic	LED Code	Voltage	Color Temperature	Distribution	Finish ¹	Output Code ²
PTC	S	F Flat Sloped	N No Panels T Textured Polycarbonate TA Textured Acrylic	S Micro Optic	30J 60J	MV 120-277V HV 347-480V	27K 2700K 30K 3000K 40K 4000K	2 Type 2 3 Type 3 5 Type 5	BK Black GY Gray DB1 Dark Bronze (RAL8019)	Refer to Pages 3 through 6 for Output Code options.

Options	
PCR7-CR ³	Control Ready 7-wire PC Receptacle
C	Standard Cupola, (4.25" dia. x 5.3" H/ 108mm x 135mm)
CS ²	Field Adjustable Light Output
WL	Utility Wattage Label
SP2	Extreme Surge Protection, 20kA/10kV
HSS	House Side Shield
FSS	Front Side Shield
CSS	Cul-de-Sac Shield
BG	Bird Guard Cover Plate
LR	Ladder Rest (set of 2)

Accessories	
LLPCMVA	Long-Life Twist Lock Photocell (120V- 277V)
LLPCHVA	Long-Life Twist Lock Photocell (347V- 480V)
SC ⁴	Shorting Cap
BG	Bird Guard Cover Plate
C	Standard Cupola, (4.25" dia. x 5.3" H/ 108mm x 135mm)
LR	Ladder Rest (set of 2)
HSSJPTC30J	House Side Shield
HSSJPTC60J	House Side Shield (set of 2)
CSSJPTC30J	Cul-de-Sac Shield
CSSJPTC60J	Cul-de-Sac Shield (set of 2)
FSSJPTC30J	Front Side Shield
FSSJPTC60J	Front Side Shield (set of 2)

Notes:

- Consult factory for other finishes.
- Specified output code is the factory set lumen performance. Refer to performance data table. Optional current selector enables fixture to be changed in the field to adjust light output for local conditions. If both CS current selector and PCR7 receptacle are required, specify "PCR7-CS". Note that dimming wires will not be connected to receptacle.
- Control-ready wired at factory for wireless node dimming (node by others). No current selector included.
- Requires PCR7-CR option.

Additional Notes:

Please specify Distribution type and LED output code at time of order placement. For ordering information please contact ESL Spectrum, Attn: Jon Underwood, phone #(260) 486-2117.



City of Fort Wayne Street Lighting Leotek Town & Country Light Fixture Standard Part #PTC-S-F-TA-S-30J-MV-30K-X-BK-XXX-C



Colonial LED Post Top PTC Series Specification Data Sheet

Luminaire Specifications

Housing

Die cast aluminum housing with universal slip fitter accommodates pole diameters from 2-3/8" to 3". Aluminum housing provides passive heat-sinking of the LEDs and has upper surfaces that shed precipitation. Mounting provisions meet 3G vibration per ANSI C136.31-2010 Normal Application, Bridge & Overpass by independent lab. All wiring and electrical enclosure hardware is tool-less, captive, and stainless steel.

Light Emitting Diodes

LEDs produce minimum 90% of initial intensity at 60,000 hours of life per IES recommended lumen maintenance life projection based on 6 times the duration of the collected LM-80 data. For details on IESNA Position on LED Product Lifetime Prediction, refer to PS-10-18. LEDs have correlated color temperature of 2700K (27K), 3000K (30K), 4000K (40K) and 70 CRI minimum. LEDs are ROHS compliant, 100% mercury and lead free.

Optional Field Adjustable

Light Output (CS)

LED lumen output can be changed in the field to adjust light output for local conditions using the current selector in the luminaire for continuous dimming. Range of continuous dimming is above 10%. Field adjustable range shown in performance data table. If both CS current selector and PCR7 receptacle are required, specify "PCR7-CS". Note that dimming wires will not be connected to receptacle.

Quality Control

Every luminaire is performance tested before and after a 2-hour burn-in period. Assembled in the USA.

Optical Systems

Micro-lens optical systems produce Type 2, Type 3, or Type 5 distributions and are fully sealed to maintain an IP66 rating. Luminaire produces 0% total lumens above 90° (BUG Rating, U=0 without side panels). UV stabilized polycarbonate textured side panels (side panel version) Field-installable accessory shields available.

Electrical

Rated life of electrical components is 100,000 hours. Uses isolated power supply that is 1-10V dimmable. Power supply is wired with quick-disconnect terminals. EMC meets or exceeds FCC CFR Part 15. Terminal block accommodates 6 to 14 gauge wire. Standard surge protection, 10kV/5kA, complies with IEEE/ANSI C62.41 Category C High and ANSI C136.2-2015, 3-part test.

Power Supply

IP66 rated power supply with high power factor of > 90%. Auto sensing universal AC input from 120 to 277VAC (MV model) and 347 to 480VAC (HV mode) rated for both line to line and line to neutral applications. Maximum THD rating of 20%. Class 1 or Class 2. Built-in overheating protection mechanism will reduce drive current to LEDs and electrical components if the driver experiences unusual internal overheating situation. Built-in short circuit, voltage overload, and current overload protection with automatic recovery after correction.

Controls

ANSI C136.41 7-wire PCR7-CR photocontrol receptacle is optional. Dimming leads factory-wired to the receptacle for control ready luminaire. Receptacle has tool-less rotatable base. Wireless control module provided by others. If PCR7-CS is specified, dimming wires are not wired to photocell receptacle

Finish

Housing receives a durable, fade-resistant polyester powder coat finish with 3.0 mil nominal thickness. Standard finish tested to withstand 1000 hours in salt spray exposure per ASTM B117. Finish meets ASTM D1654. Finish tested 500 hours in UV exposure per ASTM G154 and meets ASTM D523 gloss retention.

Listings/Ratings/Labels

Luminaires are UL listed for use in wet locations in the United States and Canada. All electronic components inside of the luminaire are NRTL damp location rated per ANSI 136.37-2011 Ingress Protection standard. For International Dark Sky (IDA) certification, the No Side Panel option and 3000k or warmer LEDs must be selected. Assembled in the U.S.A

Photometry

Luminaires photometrics are tested by certified independent testing laboratories in accordance with IES testing procedures. Reports available upon request.

Warranty

5-year limited warranty is standard on luminaire and components. See Leotek.com for warranty details.

Vandal Resistant Housing

Housing and LED engine optics rated to IK10.

Certification and Compliance

Luminaire complies with:
ANSI: C136.2, C136.3, C136.10, C136.13, C136.15, C136.22, C136.31, C136.35, C136.37, C136.41, C62.41, C78.377, C82.77
Other: FCC 47 CFR, IEC 60598, ROHS II, UL 1449, UL 1598

Color Specifications

Order Code	Color	RAL #	Pantone Equivalent
GY	Gray	7040	429C
BK	Black	9004	426C
DB1	Dark Bronze	8019	412C

Lumen Maintenance per IES TM21-11 Calculation

Model Number	60,000 Hours*	80,000 Hours	100,000 Hours
30J	>99%	>98%	>98%
60J	>98%	>98%	>97%

*Calculation based on IES position statement on Lumen Maintenance Life Projections

City of Fort Wayne Street Lighting Leotek Town & Country Light Fixture Standard
Part #PTC-S-F-TA-S-30J-MV-30K-X-BK-XXX-C



Colonial LED Post Top
PTC Series Specification Data Sheet

Performance Data: 2700K (27K)

All data nominal. IES files for all CCTs available at leotek.com.

With Side Panels

Product	LED Code	Output Code	System Wattage	Delivered Lumens	Efficacy (Lm/W)	System Drive Current	Field Adjustable Output Range (CS Option)
PTC-S-F-T	30J	025	23	2553	113	580	↕
		035	33	3701	112	890	
		040	37	4171	112	1000	
		050	46	4994	110	1200	
		060	54	5875	108	1400	
	60J	060	46	5775	125	380	↕
		070	55	6762	123	460	
		080	67	8175	122	560	
		095	77	9285	121	640	
		100	84	10092	120	700	

Notes:

1 Nominal lumens. Normal tolerance $\pm 10\%$ due to factors including distribution type, LED bin variance, and ambient temperatures.

Performance Data: 3000K (30K)

All data nominal. IES files for all CCTs available at leotek.com.

Product	LED Code	Output Code	System Wattage	Delivered Lumens	Efficacy (Lm/W)	System Drive Current	Field Adjustable Output Range (CS Option)
PTC-S-F-T	30J	025	22	2722	121	580	↕
		040	33	3957	121	890	
		045	37	4438	121	1000	
		055	45	5338	118	1200	
		065	54	6280	117	1400	
	60J	060	46	5823	127	380	↕
		070	55	6821	124	460	
		080	67	8246	123	560	
		095	77	9366	122	640	
		100	84	10180	122	700	

Notes:

1 Nominal lumens. Normal tolerance $\pm 10\%$ due to factors including distribution type, LED bin variance, and ambient temperatures.

Performance Data: 4000K (40K)

All data nominal. IES files for all CCTs available at leotek.com.

Product	LED Code	Output Code	System Wattage	Delivered Lumens	Efficacy (Lm/W)	System Drive Current	Field Adjustable Output Range (CS Option)
PTC-S-F-T	30J	030	23	2847	126	580	↕
		040	33	4139	126	890	
		045	37	4664	126	1000	
		055	45	5584	123	1200	
		065	54	6569	121	1400	
	60J	060	46	6137	133	380	↕
		070	55	7189	131	460	
		085	67	8691	130	560	
		100	77	9872	128	640	
		105	84	10730	128	700	

Notes:

1 Nominal lumens. Normal tolerance $\pm 10\%$ due to factors including distribution type, LED bin variance, and ambient temperatures.

**City of Fort Wayne Street Lighting Leotek Town & Country Light Fixture Standard
Part #PTC-S-F-TA-S-30J-MV-30K-X-BK-XXX-C**



**Colonial LED Post Top
PTC Series Specification Data Sheet**

With Side Panels

BUG Ratings: 2700K (27K)*

Product & LED Code	Output Code	Type 2	Type 3	Type 5
		BUG Rating	BUG Rating	BUG Rating
PTC-S-F-T-30J	025	B1-U2-G1	B1-U3-G2	B2-U3-G1
	035	B1-U3-G2	B1-U3-G2	B2-U3-G2
	040	B1-U3-G2	B1-U3-G2	B2-U3-G2
	050	B2-U3-G2	B1-U3-G2	B2-U3-G2
	060	B2-U3-G2	B2-U3-G3	B3-U3-G2
PTC-S-F-T-60J	060	B2-U3-G2	B2-U3-G3	B3-U3-G2
	070	B2-U3-G3	B2-U3-G3	B3-U3-G3
	080	B2-U3-G3	B2-U3-G3	B3-U3-G3
	095	B3-U3-G3	B2-U3-G3	B3-U3-G3
	100	B3-U3-G3	B2-U3-G3	B3-U3-G3

*All data nominal. IES files for all CCTs are available at leotek.com.

BUG Ratings: 3000K (30K)*

Product & LED Code	Output Code	Type 2	Type 3	Type 5
		BUG Rating	BUG Rating	BUG Rating
PTC-S-F-T-30J	025	B1-U3-G1	B1-U3-G2	B2-U3-G1
	040	B1-U3-G2	B1-U3-G2	B2-U3-G2
	045	B1-U3-G2	B1-U3-G2	B2-U3-G2
	055	B2-U3-G2	B1-U3-G2	B3-U3-G2
	065	B2-U3-G2	B2-U3-G3	B3-U3-G2
PTC-S-F-T-60J	060	B2-U3-G2	B2-U3-G3	B3-U3-G2
	070	B2-U3-G3	B2-U3-G3	B3-U3-G3
	080	B2-U3-G3	B2-U3-G3	B3-U3-G3
	095	B3-U3-G3	B2-U3-G3	B3-U3-G3
	100	B3-U3-G3	B2-U3-G3	B3-U3-G3

*All data nominal. IES files for all CCTs are available at leotek.com.

BUG Ratings: 4000K (40K)*

Product & LED Code	Output Code	Type 2	Type 3	Type 5
		BUG Rating	BUG Rating	BUG Rating
PTC-S-F-T-30J	030	B1-U3-G2	B1-U3-G2	B2-U3-G1
	040	B1-U3-G2	B1-U3-G2	B2-U3-G2
	045	B2-U3-G2	B1-U3-G2	B2-U3-G2
	055	B2-U3-G2	B2-U3-G2	B3-U3-G2
	065	B2-U3-G3	B2-U3-G3	B3-U3-G2
PTC-S-F-T-60J	060	B2-U3-G2	B2-U3-G3	B3-U3-G2
	070	B2-U3-G3	B2-U3-G3	B3-U3-G3
	085	B2-U3-G3	B2-U3-G3	B3-U3-G3
	100	B3-U3-G3	B2-U3-G3	B3-U3-G3
	105	B3-U3-G3	B2-U3-G3	B3-U3-G3

*All data nominal. IES files for all CCTs are available at leotek.com.

American Revolution LED

Part # 247L-P104-MVOLT-30K-R3 OR R5-AY-BK-SCC-NR-LIH

Series 247L

PRODUCT OVERVIEW



Features:

- Colonial LED lantern, replaces up to 250W HID models for street and area lighting applications
- Fifteen (15) LED performance packages deliver just the right amount of light for any given application up to 9,000 lumens
- Available in color temperature choices of 2700K, 3000K and 4000K
- Four (4) distinct light distribution options provide design flexibility, available in Type II, Type III, Type IV, and Type V
- Available with acrylic or polycarbonate lens
- Die-cast aluminum housing, engineered for sturdy lifelong performance
- Luminaire is rated for 3g vibration per ANSI C136.31
- Die-cast aluminum hood features a trigger latch (TL) option and captive thumb screws for fast, easy electrical and optical chamber access
- Standard paint finish is smooth gloss
- Housing is tenon pole-mounted and designed for use with a 3" tall by 2-3/8" to 3" diameter tenon, and secured by three set screws
- Rated LED and driver life greater than 100,000 hours at 25°C
- Surge protection device (standard) exceeds ANSI/IEEE C62.41-2002 Category C High (10kV/10kA) and ANSI C136.2-2015 Enhanced (10kV/5kA). 20KV Option exceeds ANSI/IEEE C62.41-2002 Category C High (10kV/10kA) and ANSI C136.2-2015 Extreme (20kV/10kA)
- Equipped with LED electronic 0-10V dimmable driver with DALI driver option

Applications:

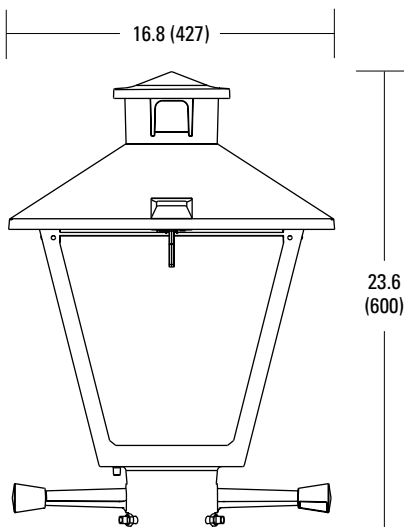
Streetscapes
Walkways
Pathways
Parks



Standards:

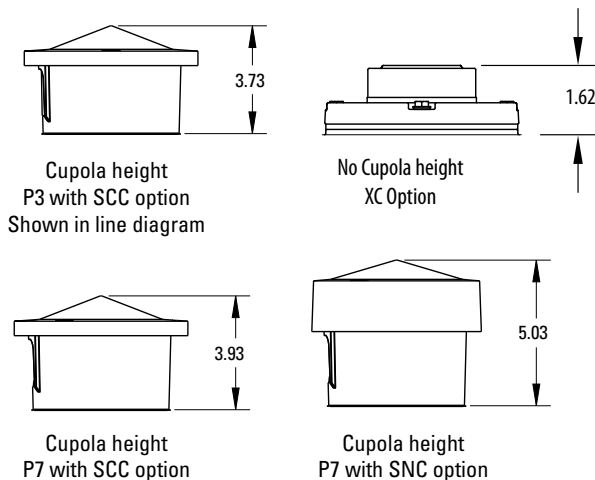
- Complies with all applicable ANSI C136 standards.
- CSA listed and suitable for up to 40°C ambient
- DesignLights Consortium® (DLC) qualified product. Not all versions of this product may be DLC qualified. Please check the DLC Qualified Products List at www.designlights.org/QPL to confirm which versions are qualified.

DIMENSIONS



Effective Projected Area (EPA)

The EPA for the American Revolution Series 247 is 1.6 sq. ft.
Fixture weight = 36 lbs.



All dimensions are inches (millimeters) unless otherwise noted.

American Revolution LED

Series 247L

ORDERING INFORMATION

Example: 247L P155 MVOLT 40K R3 AY BK SCC PR7

Series	Performance Package	Voltage	Color Temperature (CCT)																																																												
247L American Revolution LED	<table border="1"> <thead> <tr> <th>Package</th> <th>Input Watts</th> <th>Lumens (nominal)</th> </tr> </thead> <tbody> <tr><td>P101</td><td>20</td><td>2,300</td></tr> <tr><td>P102</td><td>30</td><td>3,000</td></tr> <tr><td>P103</td><td>40</td><td>4,000</td></tr> <tr><td>P104</td><td>49</td><td>4,700</td></tr> <tr><td>P151</td><td>30</td><td>3,500</td></tr> <tr><td>P152</td><td>40</td><td>4,200</td></tr> <tr><td>P153</td><td>50</td><td>5,100</td></tr> <tr><td>P154</td><td>60</td><td>5,900</td></tr> <tr><td>P155</td><td>70</td><td>6,600</td></tr> <tr><td>P201</td><td>70</td><td>7,200</td></tr> <tr><td>P202</td><td>80</td><td>7,900</td></tr> <tr><td>P300</td><td>41</td><td>4,700</td></tr> <tr><td>P301</td><td>60</td><td>6,800</td></tr> <tr><td>P302</td><td>70</td><td>7,600</td></tr> <tr><td>P303</td><td>80</td><td>8,400</td></tr> </tbody> </table>	Package	Input Watts	Lumens (nominal)	P101	20	2,300	P102	30	3,000	P103	40	4,000	P104	49	4,700	P151	30	3,500	P152	40	4,200	P153	50	5,100	P154	60	5,900	P155	70	6,600	P201	70	7,200	P202	80	7,900	P300	41	4,700	P301	60	6,800	P302	70	7,600	P303	80	8,400	<table border="1"> <tbody> <tr><td>MVOLT</td><td>120-277V</td></tr> <tr><td>HVOLT</td><td>347-480V</td></tr> <tr><td>XVOLT</td><td>277-480V with enhanced power quality protection</td></tr> </tbody> </table>	MVOLT	120-277V	HVOLT	347-480V	XVOLT	277-480V with enhanced power quality protection	<table border="1"> <tbody> <tr><td>27K</td><td>2700K</td></tr> <tr><td>30K</td><td>3000K</td></tr> <tr><td>40K</td><td>4000K</td></tr> </tbody> </table>	27K	2700K	30K	3000K	40K	4000K
Package	Input Watts	Lumens (nominal)																																																													
P101	20	2,300																																																													
P102	30	3,000																																																													
P103	40	4,000																																																													
P104	49	4,700																																																													
P151	30	3,500																																																													
P152	40	4,200																																																													
P153	50	5,100																																																													
P154	60	5,900																																																													
P155	70	6,600																																																													
P201	70	7,200																																																													
P202	80	7,900																																																													
P300	41	4,700																																																													
P301	60	6,800																																																													
P302	70	7,600																																																													
P303	80	8,400																																																													
MVOLT	120-277V																																																														
HVOLT	347-480V																																																														
XVOLT	277-480V with enhanced power quality protection																																																														
27K	2700K																																																														
30K	3000K																																																														
40K	4000K																																																														

Distribution	Optics	Paint (smooth gloss)	Cupola	Photocontrol Receptacle
R2 Type II R3 Type III R4 Type IV R5 Type V	AY Acrylic PY Polycarbonate	BK Black GY Gray DDB Dark Bronze WH White BZ Bronze	SCC Standard cupola SNC Smart node cupola XC No cupola	NR No photocontrol receptacle PR3 3 pin NEMA photocontrol PR7 7 pin NEMA photocontrol

Options

Options	Miscellaneous	House-Side Shields	Special Packaging
PCLL Solid State Long Life Photocontrol, 120-277V (fail off) P34 Solid State Long Life Photocontrol, 347V (fail off) P48 Solid State Long Life Photocontrol, 480V (fail off) PCSS Solid state photocontrol, 120-277V (Not CSA Listed) (fail on) SH Shorting cap AO Field adjustable output module DALI DALI driver (RFD required)	SS Stainless steel hardware TL Tool-less trigger latch entry NL1X1 1" x 1" NEMA label NL2X2 2" x 2" NEMA label XL Not CSA Listed LDR Ladder Rest CR Epoxy Pre-Coat Finish 20kV 20kV/10kA surge protection device CNV Field convertible to full cutoff	HSB House Side Black HSW House Side White Prewired leads L1H 1.5 ft. prewire leads L03 3 ft. prewire leads L10 10 ft. prewire leads L20 20 ft. prewire leads L25 25 ft. prewire leads L30 30 ft. prewire leads	SSP Sample pack (UPS) Accessories (ship separately): 247LFHSW Field installable white shield (HSW) 247LFHSB Field installable black shield (HSB) 247LFAY Field installable acrylic (AY) optic 247LFPY Field installable polycarbonate (PY) optic

Note: Check the OPTIONS MATRIX on Page 3 for compatibility & restrictions



AEL Headquarters, 3825 Columbus Road, Granville, OH 43023
 www.americanelectriclighting.com
 © 2019-2022 Acuity Brands Lighting, Inc. All Rights Reserved. 247L Rev. 09/12/22

Warranty Five-year limited warranty. This is the only warranty provided and no other statements in this specification sheet create any warranty of any kind. All other express and implied warranties are disclaimed. Complete warranty terms located at: www.acuitybrands.com/resources/terms-and-conditions
 Actual performance may differ as a result of end-user environment and application. All values are design or typical values, measured under laboratory conditions at 25 °C. Specifications subject to change without notice.
 Please contact your sales representative for the latest product information.

American Revolution LED

Series 247L

OPTIONS MATRIX

		Voltage			Distribution				Cupola			Receptacle			Photocontrol					Other				
		MVOLT	HVOLT	XVOLT	R2	R3	R4	R5	SCC	SNC	XC	PR3	PR7	NR	PCLL	PCSS	P34	P48	SH	AO	DALI	20KV	CNV	XL
Lumen Package	P101	Y	N	N	Y	Y	Y	Y	Y	Y	Y	Y	Y	Y	Y	Y	Y	Y	Y	Y	N	Y	Y	Y
	P102	Y	Y	N	Y	Y	Y	Y	Y	Y	Y	Y	Y	Y	Y	Y	Y	Y	Y	Y	RFD	Y	Y	Y
	P103	Y	Y	N	Y	Y	Y	Y	Y	Y	Y	Y	Y	Y	Y	Y	Y	Y	Y	Y	RFD	Y	Y	Y
	P104	Y	Y	N	Y	Y	Y	Y	Y	Y	Y	Y	Y	Y	Y	Y	Y	Y	Y	Y	RFD	Y	Y	Y
	P151	Y	Y	N	Y	Y	N	Y	Y	Y	Y	Y	Y	Y	Y	Y	Y	Y	Y	Y	RFD	Y	Y	Y
	P152	Y	Y	N	Y	Y	N	Y	Y	Y	Y	Y	Y	Y	Y	Y	Y	Y	Y	Y	RFD	Y	Y	Y
	P153	Y	Y	Y	Y	Y	N	Y	Y	Y	Y	Y	Y	Y	Y	Y	Y	Y	Y	Y	RFD	Y	Y	Y
	P154	Y	Y	Y	Y	Y	N	Y	Y	Y	Y	Y	Y	Y	Y	Y	Y	Y	Y	Y	RFD	Y	Y	Y
	P155	Y	Y	N	Y	Y	N	Y	Y	Y	Y	Y	Y	Y	Y	Y	Y	Y	Y	Y	RFD	Y	Y	Y
	P201	Y	Y	Y	Y	Y	Y	Y	Y	Y	Y	Y	Y	Y	Y	Y	Y	Y	Y	Y	RFD	Y	Y	Y
	P202	Y	Y	Y	Y	Y	Y	Y	Y	Y	Y	Y	Y	Y	Y	Y	Y	Y	Y	Y	RFD	Y	Y	Y
	P300	Y	Y	N	Y	Y	N	Y	Y	Y	Y	Y	Y	Y	Y	Y	Y	Y	Y	Y	RFD	Y	Y	Y
	P301	Y	Y	Y	Y	Y	N	Y	Y	Y	Y	Y	Y	Y	Y	Y	Y	Y	Y	Y	RFD	Y	Y	Y
	P302	Y	Y	Y	Y	Y	N	Y	Y	Y	Y	Y	Y	Y	Y	Y	Y	Y	Y	Y	RFD	Y	Y	Y
P303	Y	Y	Y	Y	Y	N	Y	Y	Y	Y	Y	Y	Y	Y	Y	Y	Y	Y	Y	RFD	Y	Y	Y	
Voltage	MVOLT				Y	Y	Y	Y	Y	Y	Y	Y	Y	Y	Y	N	N	N	N	Y	RFD	Y	Y	Y
	HVOLT				Y	Y	Y	Y	Y	Y	Y	Y	Y	Y	N	N	Y	Y	Y	Y	N	Y	Y	Y
	XVOLT				Y	Y	Y	Y	Y	Y	Y	Y	Y	Y	Y	Y	Y	Y	Y	Y	N	Y	Y	Y
Cupola	SCC	Y	Y	Y	Y	Y	Y	Y			Y	Y	Y	Y	Y	Y	Y	Y	Y	RFD	Y	Y	Y	
	SNC	Y	Y	Y	Y	Y	Y	Y			N	Y	N	Y	Y	Y	Y	Y	Y	RFD	Y	Y	Y	
	XC	Y	Y	Y	Y	Y	Y	Y			Y	Y	N	Y	Y	Y	Y	Y	Y	RFD	Y	Y	Y	
Receptacle	PR3	Y	Y	Y	Y	Y	Y	Y	Y	N	Y			Y	Y	Y	Y	Y	Y	RFD	Y	Y	Y	
	PR7	Y	Y	Y	Y	Y	Y	Y	Y	Y				Y	Y	Y	Y	Y	Y	RFD	Y	Y	Y	
	NR	Y	Y	Y	Y	Y	Y	Y	Y	N	N			N	N	N	N	N	Y	RFD	Y	Y	Y	
Photocontrol	PCLL	Y	N	Y	Y	Y	Y	Y	Y	Y	Y	Y	N						Y	RFD	Y	Y	Y	
	PCSS	Y	N	Y	Y	Y	Y	Y	Y	Y	Y	Y	N						Y	RFD	Y	Y	Y	
	P34	N	Y	Y	Y	Y	Y	Y	Y	Y	Y	Y	N						Y	RFD	Y	Y	Y	
	P48	N	Y	Y	Y	Y	Y	Y	Y	Y	Y	Y	N						Y	RFD	Y	Y	Y	
	SH	Y	Y	Y	Y	Y	Y	Y	Y	Y	Y	Y	N						Y	RFD	Y	Y	Y	
Other	AO	Y	Y	Y	Y	Y	Y	Y	Y	Y	Y	Y	Y	Y	Y	Y	Y	Y		N	Y	Y	Y	
	DALI	RFD	N	N	Y	Y	Y	Y	Y	Y	Y	RFD	RFD	RFD	RFD	RFD	RFD	RFD	N		RFD	RFD	RFD	
	20KV	Y	Y	Y	Y	Y	Y	Y	Y	Y	Y	Y	Y	Y	Y	Y	Y	Y	Y	RFD		Y	Y	
	CNV	Y	Y	Y	Y	Y	Y	Y	Y	Y	Y	Y	Y	Y	Y	Y	Y	Y	Y	RFD	Y		N	
	XL	Y	Y	Y	Y	Y	Y	Y	Y	Y	Y	Y	Y	Y	Y	Y	Y	Y	Y	RFD	Y	N		

MATRIX KEY

Y = Option combination is available

N = Option combination is not available

RFD = Option combination is available but additional information required. Consult factory.



AEL Headquarters, 3825 Columbus Road, Granville, OH 43023
 www.americanelectriclighting.com
 © 2019-2022 Acuity Brands Lighting, Inc. All Rights Reserved. 247L Rev. 09/12/22

Warranty Five-year limited warranty. This is the only warranty provided and no other statements in this specification sheet create any warranty of any kind. All other express and implied warranties are disclaimed. Complete warranty terms located at: www.acuitybrands.com/resources/terms-and-conditions
 Actual performance may differ as a result of end-user environment and application. All values are design or typical values, measured under laboratory conditions at 25 °C. Specifications subject to change without notice.
Please contact your sales representative for the latest product information.

American Revolution LED

Series 247L

OPERATING CHARACTERISTICS

Performance Package	Wattage	CCT	AY Optic							
			R2		R3		R4		R5	
			Lumens	LPW	Lumens	LPW	Lumens	LPW	Lumens	LPW
P101	20	2700K	2,182	109	2,169	108	2,130	107	2,240	112
		3000K	2,277	114	2,264	113	2,224	111	2,338	117
		4000K	2,376	119	2,362	118	2,320	116	2,440	122
P102	30	2700K	2,954	98	2,937	98	2,885	96	3,034	101
		3000K	3,083	103	3,066	102	3,011	100	3,166	106
		4000K	3,217	107	3,199	107	3,142	105	3,304	110
P103	40	2700K	3,794	95	3,772	94	3,705	93	3,896	97
		3000K	3,960	99	3,937	98	3,867	97	4,066	102
		4000K	4,132	103	4,108	103	4,035	101	4,243	106
P104	49	2700K	4,506	91	4,480	91	4,400	89	4,627	94
		3000K	4,703	95	4,676	95	4,593	93	4,830	98
		4000K	4,908	99	4,880	99	4,793	97	5,039	102
P151	30	2700K	3,329	111	3,310	110	--	--	3,419	114
		3000K	3,475	116	3,455	115	--	--	3,569	119
		4000K	3,626	121	3,606	120	--	--	3,724	124
P152	40	2700K	4,040	101	4,017	100	--	--	4,149	104
		3000K	4,217	105	4,193	105	--	--	4,331	108
		4000K	4,400	110	4,375	109	--	--	4,519	113
P153	50	2700K	4,883	98	4,855	97	--	--	5,014	100
		3000K	5,096	102	5,067	101	--	--	5,233	105
		4000K	5,318	106	5,288	106	--	--	5,461	109
P154	60	2700K	5,645	94	5,613	94	--	--	5,797	97
		3000K	5,892	98	5,858	98	--	--	6,050	101
		4000K	6,148	102	6,113	102	--	--	6,314	105
P155	70	2700K	6,402	91	6,366	91	--	--	6,574	94
		3000K	6,682	95	6,644	95	--	--	6,862	98
		4000K	6,973	100	6,933	99	--	--	7,160	102
P201	70	2700K	6,925	99	6,885	98	6,763	97	7,111	102
		3000K	7,228	103	7,187	103	7,059	101	7,422	106
		4000K	7,542	108	7,499	107	7,366	105	7,745	111
P202	80	2700K	7,597	95	7,554	94	7,419	93	7,801	98
		3000K	7,929	99	7,884	99	7,744	97	8,143	102
		4000K	8,274	103	8,227	103	8,080	101	8,497	106
P300	41	2700K	4,494	111	4,468	110	--	--	4,615	114
		3000K	4,690	116	4,664	115	--	--	4,816	119
		4000K	4,894	121	4,866	120	--	--	5,026	124
P301	60	2700K	6,544	109	6,507	108	--	--	6,720	112
		3000K	6,831	114	6,792	113	--	--	7,014	117
		4000K	7,128	119	7,087	118	--	--	7,319	122
P302	70	2700K	7,310	104	7,269	104	--	--	7,507	107
		3000K	7,630	109	7,587	108	--	--	7,835	112
		4000K	7,962	114	7,917	113	--	--	8,176	117
P303	80	2700K	8,064	101	8,018	100	--	--	8,281	104
		3000K	8,417	105	8,369	105	--	--	8,643	108
		4000K	8,783	110	8,733	109	--	--	9,019	113

Optic	Factor
AY	1.00
PY	.92

American Revolution LED

Series 247L

PROJECTED LED LUMEN MAINTENANCE

Data references the extrapolated performance projections for the platforms noted in a 25°C ambient, based on 6,000 hours of LED testing (tested per IESNA LM-80-08 and projected per IESNA TM-21-11). For other lumen maintenance values, contact factory.

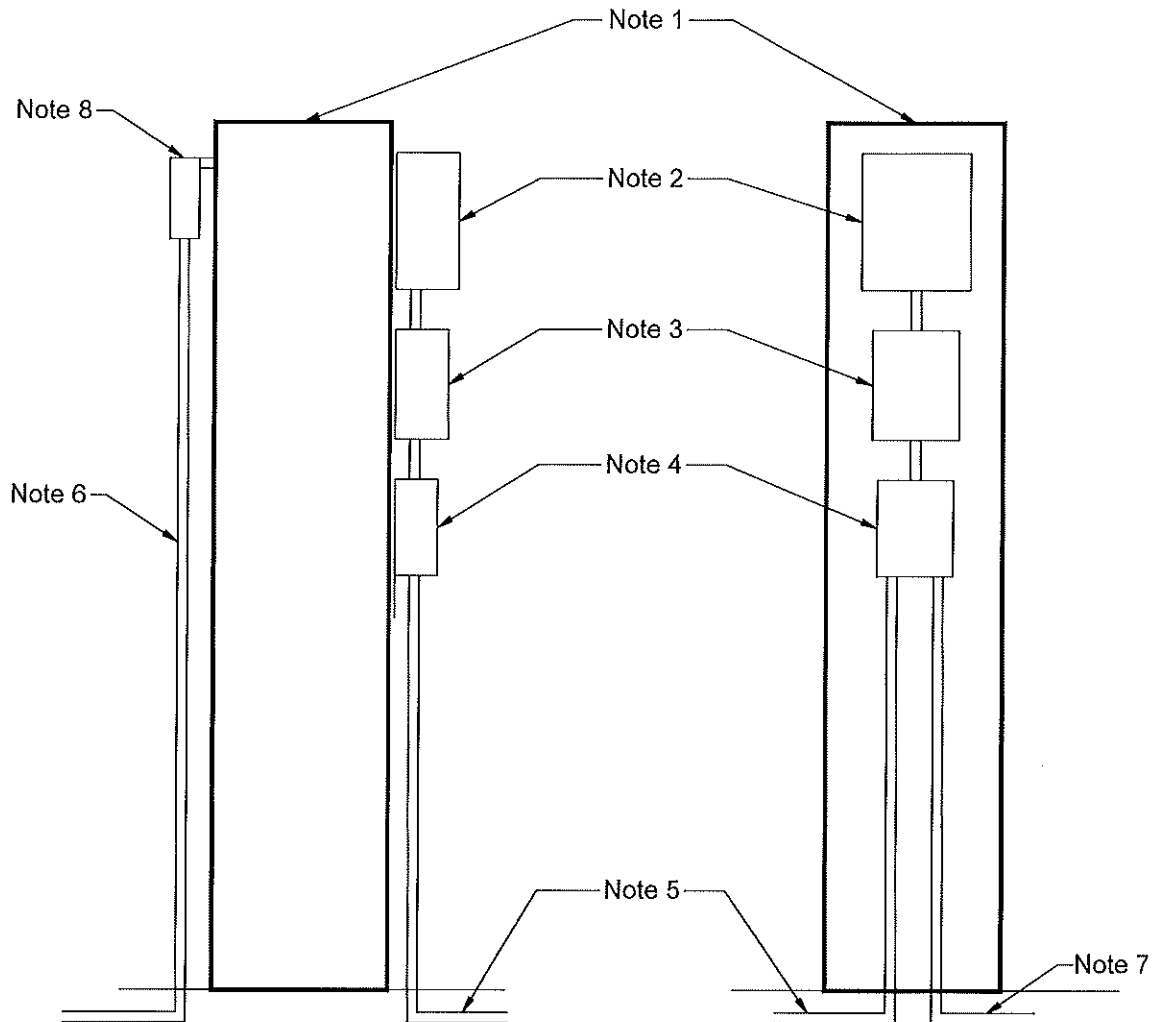
LED Lumen Maintenance							
Performance Package	Initial	25k hours	36k hours	50k hours	60k hours	75k hours	100k hours
P101, P102, P151, P300	1.00	0.96	0.94	0.92	0.90	0.88	0.85
P103, P152	1.00	0.95	0.93	0.91	0.90	0.87	0.84
P153, P301, P302	1.00	0.95	0.93	0.91	0.89	0.87	0.83
P104, P154, P201, P303	1.00	0.95	0.93	0.90	0.89	0.86	0.82
P155, P202	1.00	0.94	0.92	0.89	0.88	0.85	0.80

LUMEN AMBIENT TEMPERATURE (LAT) MULTIPLIERS

Use these factors to determine relative lumen output for average ambient temperatures from 0-40°C (32-104°F).

Luminaire Ambient Temperature (LAT) Multiplier								
0°C	5°C	10°C	15°C	20°C	25°C	30°C	35°C	40°C
1.04	1.03	1.02	1.02	1.01	1.00	0.99	0.98	0.97





PROFILE VIEW

NOT TO SCALE

ELEVATION VIEW

NOT TO SCALE

NOTES:

1. 6" x 6" PRESSURE TREATED POST SHALL BE BURIED TO A MINIMUM DEPTH OF 36". BACKFILL SHALL BE # 53 / 73 STONE COMPACTED IN PLACE.
2. PROVIDE SQUARE D TWO-POLE 30 AMP BREAKER IN A NEMA 3R ENCLOSURE (SQUARE D PART #Q02L70RB).
3. PROVIDE SQUARE D LIGHTING CONTACTOR IN NEMA 3R ENCLOSURE (SQUARE D PART #8903LH20V02) PROVIDE PHOTOCCELL TO CONTROL LIGHTS.
4. PROVIDE WEATHERPROOF JUNCTION BOX FOR WIRE TERMINATIONS.
5. 1.5" OR 2" CONDUIT AND WIRE TO STREETLIGHTS.
6. 1.5" OR 2" CONDUIT AND WIRE TO AEP TRANSFORMER. PROVIDE SUFFICIENT LENGTH FOR FINAL TERMINATION BY AEP AT THEIR TRANSFORMER.
7. GROUNDING WIRE AND CONDUIT. PROVIDE GROUNDING AS PER NATIONAL ELECTRICAL CODE.
8. FOR AEP SERVICE PROVIDE "LB" CONDULET. FOR REMC SERVICE PROVIDE A BLANK METER BASE & METALLIC BLANK COVER.