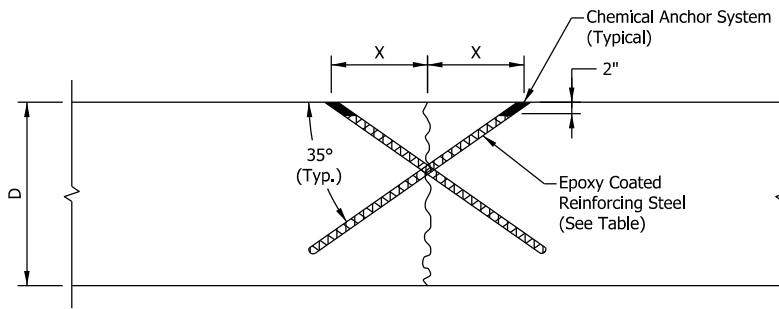


LONGITUDINAL OR TRANSVERSE CRACK

| EPOXY COATED REINFORCING BARS | | | | |
|-------------------------------|---------|------------|------------|--------------|
| D | X | BAR LENGTH | BAR SIZE | |
| | | | TRANSVERSE | LONGITUDINAL |
| 9" | 6 1/2" | 9" | #8 | #6 |
| 9 1/2" | 6 3/4" | 9" | #8 | #6 |
| 10" | 7" | 10" | #10 | #6 |
| 10 1/2" | 7 1/2" | 11" | #10 | #6 |
| 11" | 7 3/4" | 12" | #10 | #6 |
| 11 1/2" | 8 1/4" | 13" | #10 | #6 |
| 12" | 8 1/2" | 13" | #10 | #6 |
| 12 1/2" | 9" | 14" | #11 | #6 |
| 13" | 9 1/4" | 15" | #11 | #6 |
| 13 1/2" | 9 1/2" | 16" | #11 | #6 |
| 14" | 10" | 17" | #11 | #6 |
| 14 1/2" | 10 1/4" | 18" | #11 | #6 |
| 15" | 10 3/4" | 19" | #11 | #6 |
| 15 1/2" | 11" | 20" | #11 | #6 |
| 16" | 11 1/2" | 20" | #11 | #6 |



SECTION A-A

INDIANA DEPARTMENT OF TRANSPORTATION

PCCP STITCHING