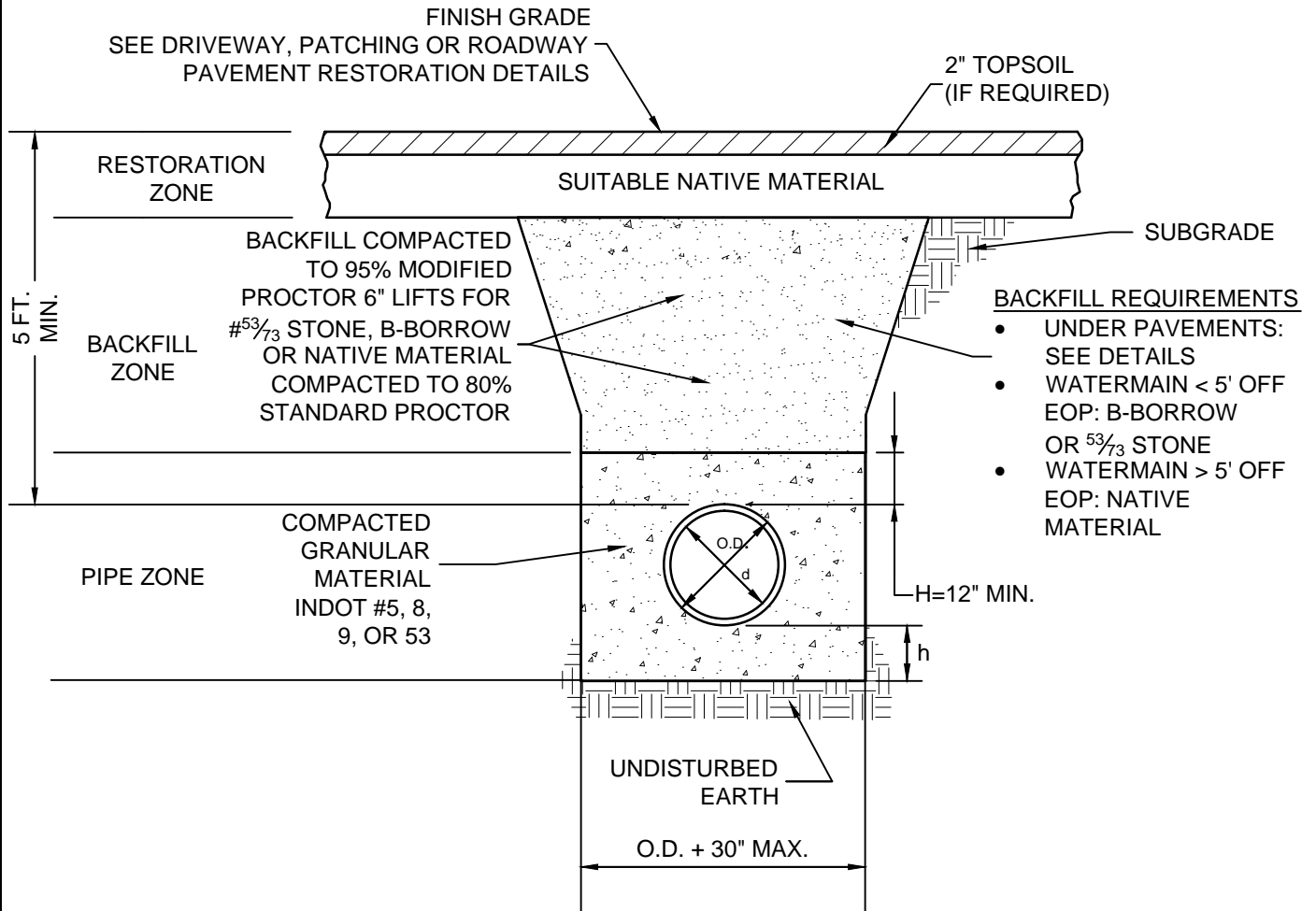




\* PVC, HDPE, & CMP are Considered Flexible Pipes



**Legend:**

O.D.= Outside Diameter

H= Backfill Cover Above Top of Pipe

d= Inside Diameter

h=  $\frac{O.D.}{8}$  ;4" Minimum

**Note:**

- For Rock or Other Non-Compressive Material: The Trench Should be Over-Excavated a Minimum of 6"