



# GENERAL FLEXIBLE PIPE\* BEDDING DETAIL

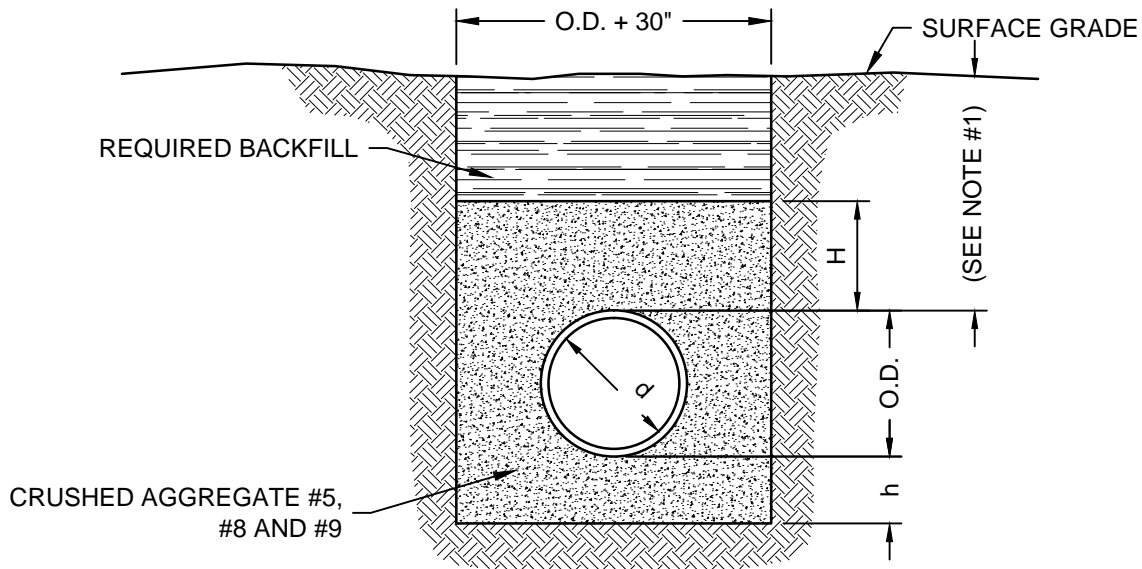
Created: January 1, 2002

Revised: January 24, 2017

Scale: N.T.S.

## CLASS 'F'

\* PVC, HDPE, FRP, DIP, PP & CMP are Considered Flexible Pipes



**NOTE:**  
 FOR ROCK OR OTHER  
 NON-COMPRESSIVE MATERIALS: THE  
 TRENCH SHOULD BE  
 OVER-EXCAVATED A MINIMUM OF 6"  
 AND REFILLED WITH GRANULAR  
 MATERIAL.

**LEGEND:**  
 O.D.= OUTSIDE DIAMETER  
 H= BACKFILL COVER ABOVE TOP OF PIPE;  
 12" MINIMUM  
 d= INSIDE DIAMETER  
 h=  $\frac{O.D.}{8}$ ; 4" MINIMUM

### NOTES:

1. MINIMUM COVER - STORMWATER 3', SANITARY 4', WATER 5'.
2. FOR ROCK OR OTHER NON-COMPRESSIVE MATERIALS; THE TRENCH SHOULD BE OVER-EXCAVATED A MINIMUM OF 6" AND REFILLED WITH GRANULAR MATERIAL.