

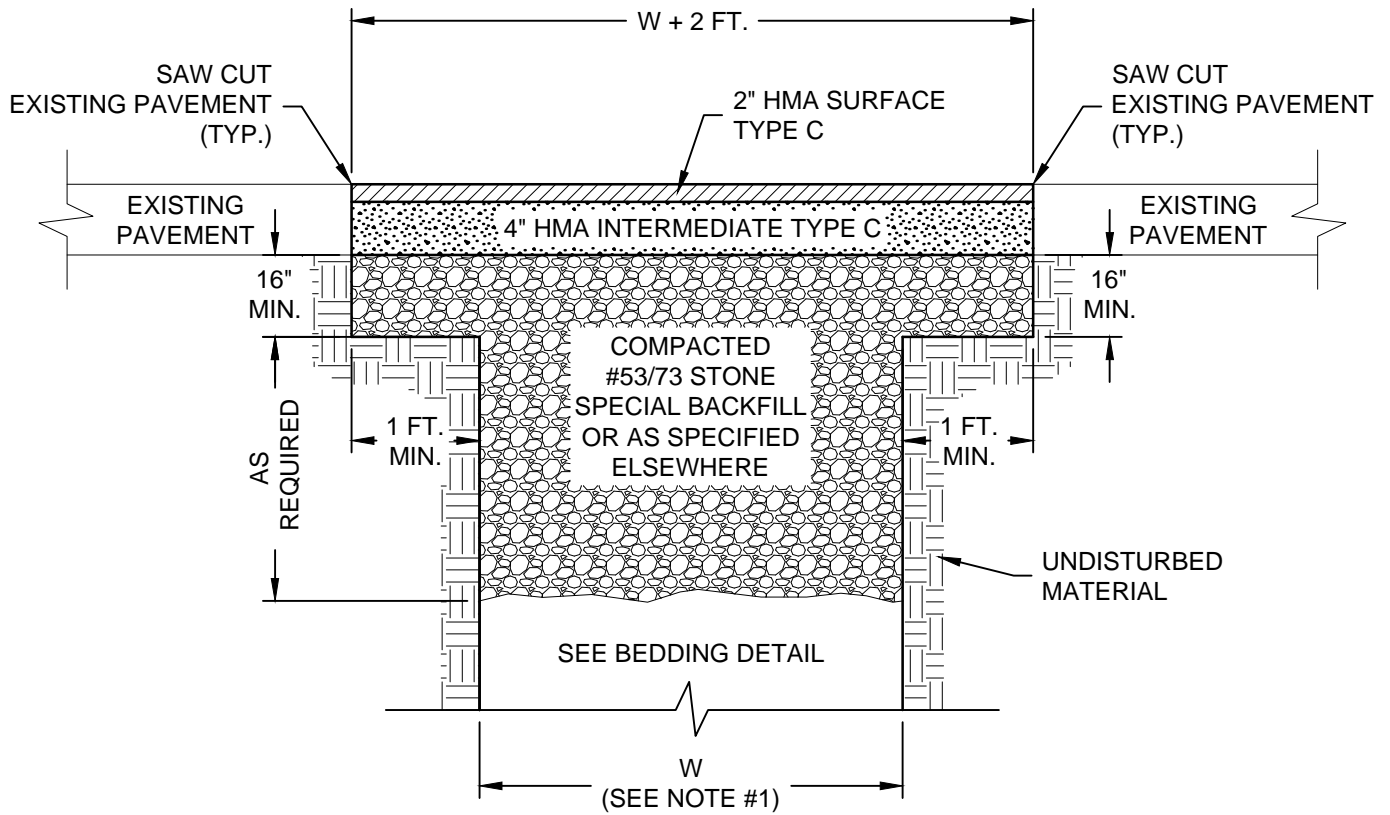


MAJOR ARTERIAL ROADWAY ASPHALT PATCH

Created: June 21, 2012

Revised: January 24, 2017

Scale: N.T.S.



NOTES:

1. WIDTH OF TRENCH (W) SHALL EQUAL OUTSIDE DIAMETER OF PIPE + 30 INCHES AS PER SECTION 31 00 05.
2. ASPHALT PAVING (HMA) AS PER SECTION 32 12 16.
3. TRENCHING, EARTHWORK AND SPECIAL BACKFILL AS PER SECTION 31 00 05.
4. NEW SURFACE SHALL BE SLOPED TO MATCH EXISTING PAVEMENT.