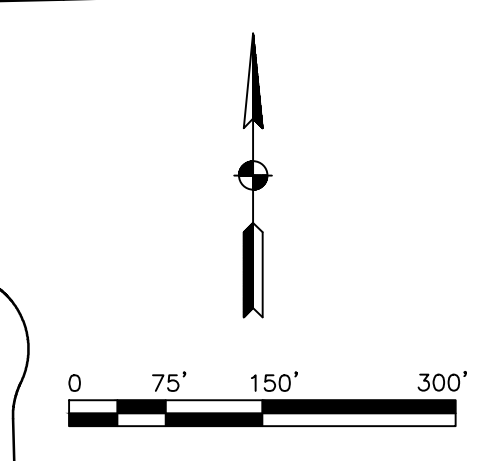
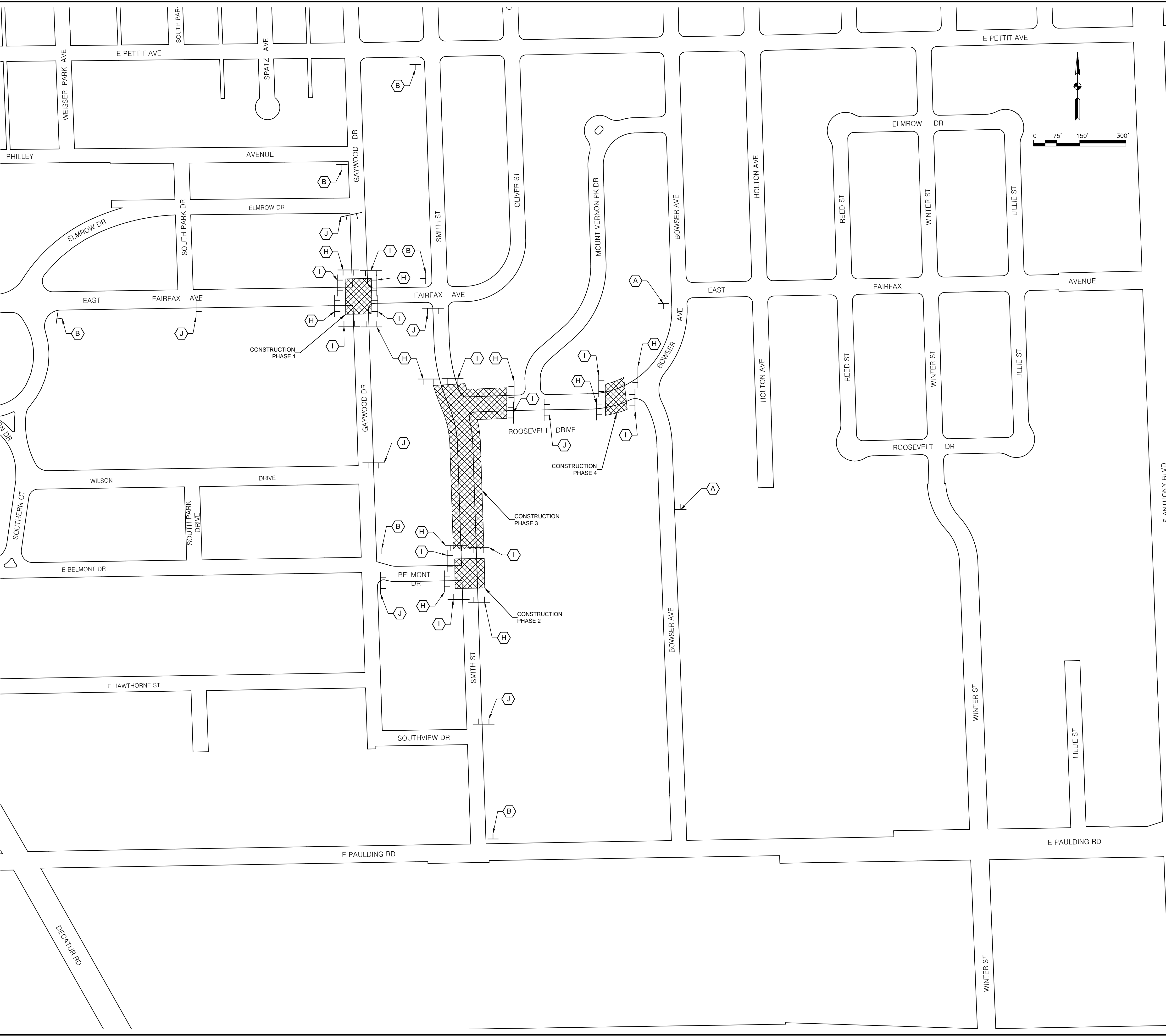


G:\CITY WATER RESOURCES\WATER RESOURCES SHARED CADD FILES\STANDARDS & MANUALS\CADD STANDARDS - WORKING\DCS\CADD 5 - DRAFTING CONVENTIONS\XXXX - CADD STANDARDS 2013\DRAWINGS\SHEET TYPE EXHIBITS\EXHIBIT CADD5-11 - TRAFFIC CONTROL.DWG
 3/18/2015 12:51 PM



GENERAL SHEET NOTES

- CONTRACTOR TO COMPLETE EACH PHASE BEFORE MOVING ON TO THE NEXT PHASE.

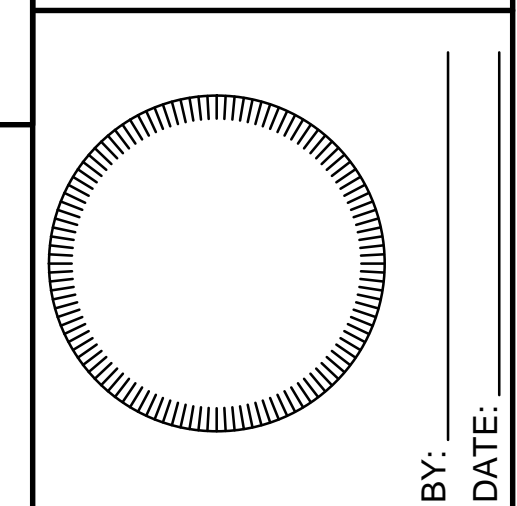
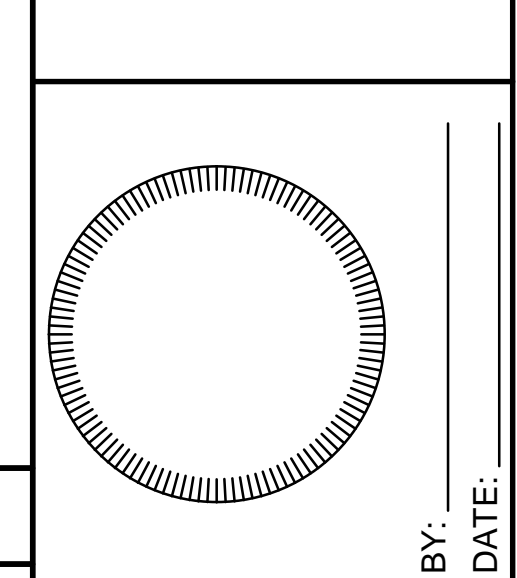
SHEET KEYNOTES

- A. ROAD CONSTRUCTION AHEAD
- B. ROAD CLOSED AHEAD
- C. DETOUR AHEAD
- D. TYPE III BARRICADE WITH ROAD CLOSED LOCAL TRAFFIC ONLY & DETOUR (RIGHT/LEFT)
- E. DETOUR RIGHT
- F. DETOUR THRU
- G. DETOUR LEFT
- H. TYPE III BARRICADE WITH ROAD CLOSED
- I. TYPE III BARRICADE
- J. TYPE III BARRICADE WITH ROAD CLOSED LOCAL TRAFFIC ONLY

LEGEND

- SIGN
- BARRICADE

PLANS PREPARED BY:
 FORT WAYNE
 CITY UTILITIES ENGINEERING
 CITIZENS SQUARE
 200 E. BERRY ST., STE 250
 FORT WAYNE, IN 46802



BY: _____ DATE: _____

PROJECT NAME
 CAN BE MULTIPLE LINES
 (PROJECT LIMITS)

PREPARED FOR:
 FORT WAYNE
 CITY UTILITIES ENGINEERING
 CITIZENS SQUARE
 200 E. BERRY ST., STE 250
 FORT WAYNE, IN 46802

**30% PLANS
 NOT FOR
 CONSTRUCTION**

REVISION NOTES	REVISION NOTES	REVISION NOTES	REVISION NOTES	REVISION NOTES	REVISION NOTES
12/31/13	12/31/13	12/31/13	12/31/13	12/31/13	12/31/13
1	2	3	4	5	6

W.O. NO: #####

DWG NO: ##-#####

SURVEYED BY:
 SURVEYOR NAME

DRAWN BY:
 CADD TECH NAME

DESIGNED BY:
 DESIGNER NAME

CHECKED BY:
 CHECKED BY NAME

APPROVED BY:
 APPROVED BY NAME

DATE: 8/18/14

SHEET TITLE:

**EXHIBIT CADD5-11
 TRAFFIC CONTROL**