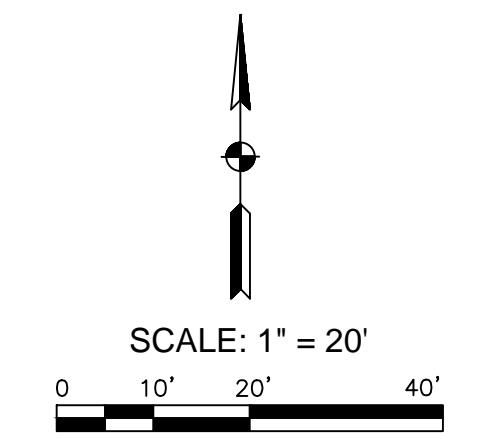
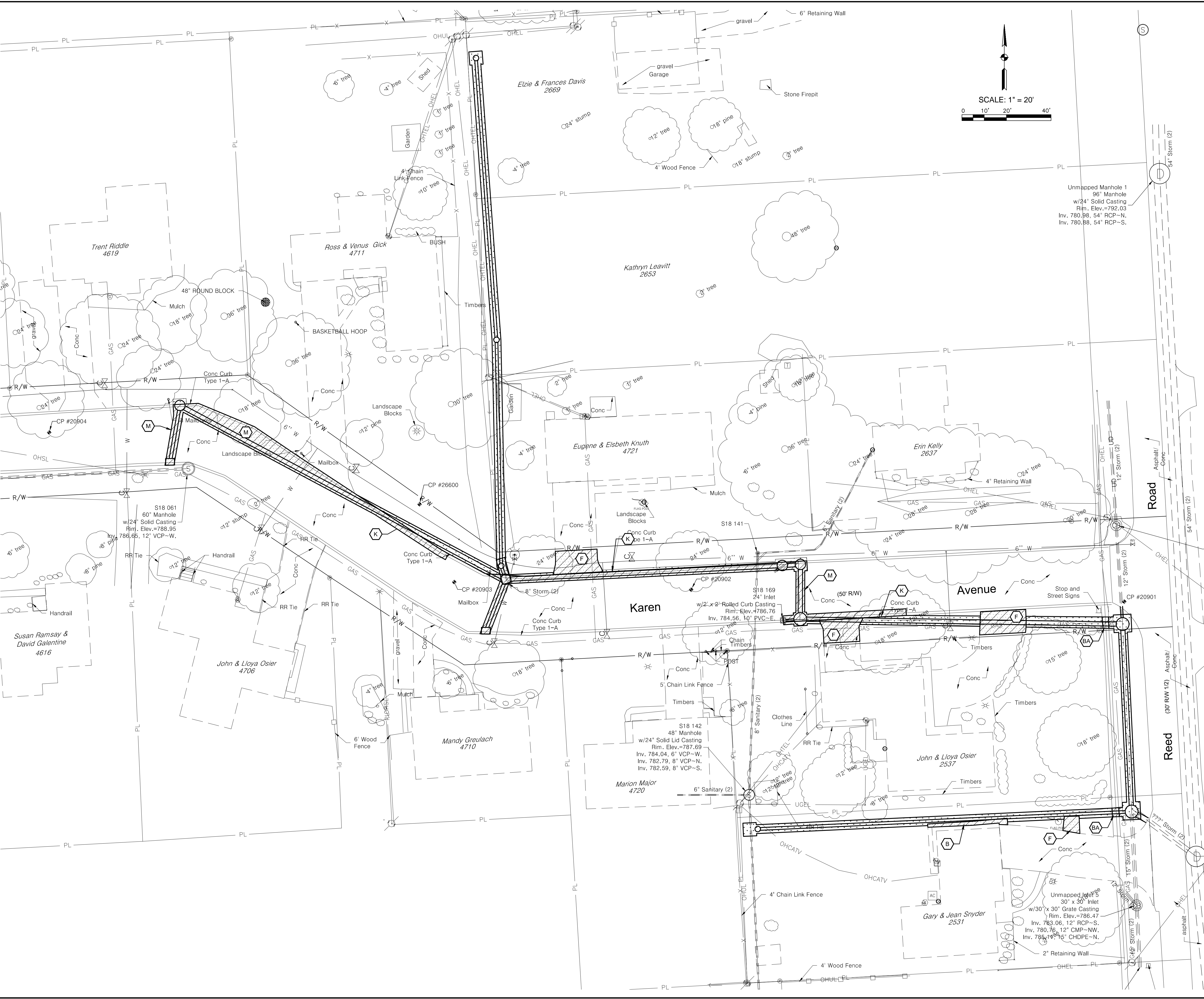


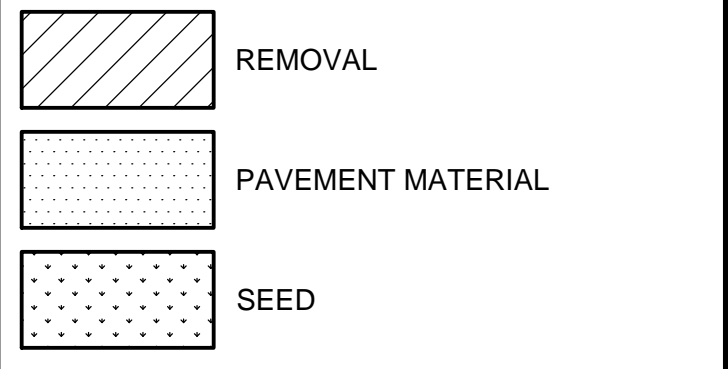
3/18/2015 12:54 PM G:\CITY UTILITIES\WATER RESOURCES\SHAREDCADD FILES\STANDARDS & MANUALS\CADD STANDARDS - WORKING\DOCS\CADD 5 - DRAFTING CONVENTIONS\XXXX - CADD STANDARDS 2013\DRAWINGS\SHEET TYPE EXHIBITS\EXHIBIT CADD5-14 - RESTORATION.DWG



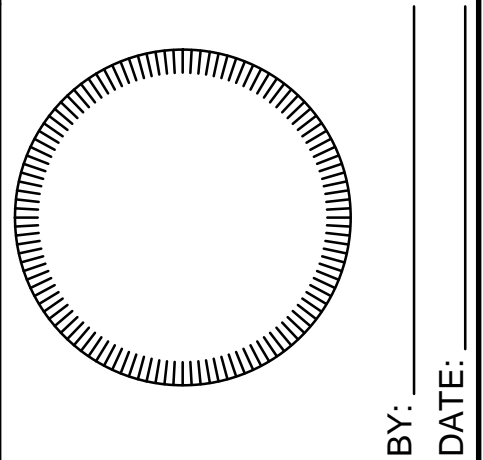
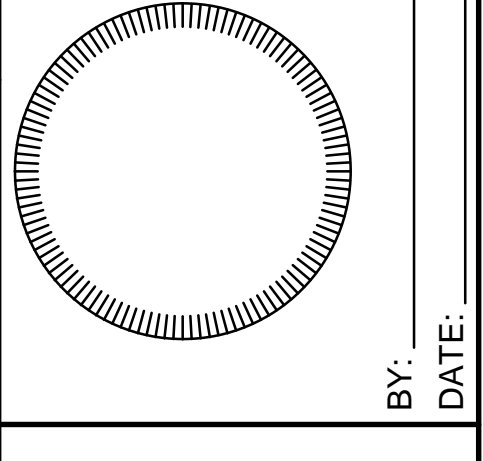
KEY SHEET KEYNOTES

- B CONCRETE SIDEWALK
- BA ASPHALT SIDEWALK
- F CONCRETE FOR RESIDENTIAL DRIVES (6")
- K CONCRETE CURB TYPE I-A
- M 7" CONCRETE REQUIRED, INCLUDES TYPE I-A CURB
- PF PRUNE & FERTILIZE TREE
- TR TREE REMOVAL
- TF TREE FERTILIZATION

SHEET LEGEND



PLANS PREPARED BY:
 FORT WAYNE
 CITY UTILITIES ENGINEERING
 CITIZENS SQUARE
 200 E. BERRY ST., STE 250
 FORT WAYNE, IN 46802



PROJECT NAME
**CAN BE MULTIPLE LINES
 (PROJECT LIMITS)**

PREPARED FOR:
 FORT WAYNE
 CITY UTILITIES ENGINEERING
 CITIZENS SQUARE
 200 E. BERRY ST., STE 250
 FORT WAYNE, IN 46802

**30% PLANS
 NOT FOR
 CONSTRUCTION**

REVISION NOTES	REVISION NOTES	REVISION NOTES	REVISION NOTES	REVISION NOTES	REVISION NOTES
12/31/13	12/31/13	12/31/13	12/31/13	12/31/13	12/31/13
1	2	3	4	5	6

W.O. NO: #####
 DWG NO: ##-#####

SURVEYED BY: SURVEYOR NAME
 DRAWN BY: CADD TECH NAME
 DESIGNED BY: DESIGNER NAME
 CHECKED BY: CHECKED BY NAME
 APPROVED BY: APPROVED BY NAME

DATE: 8/18/14
 SHEET TITLE:

**EXHIBIT CADD5-14
 RESTORATION**

C-106-07
 SHEET 9 OF 17