

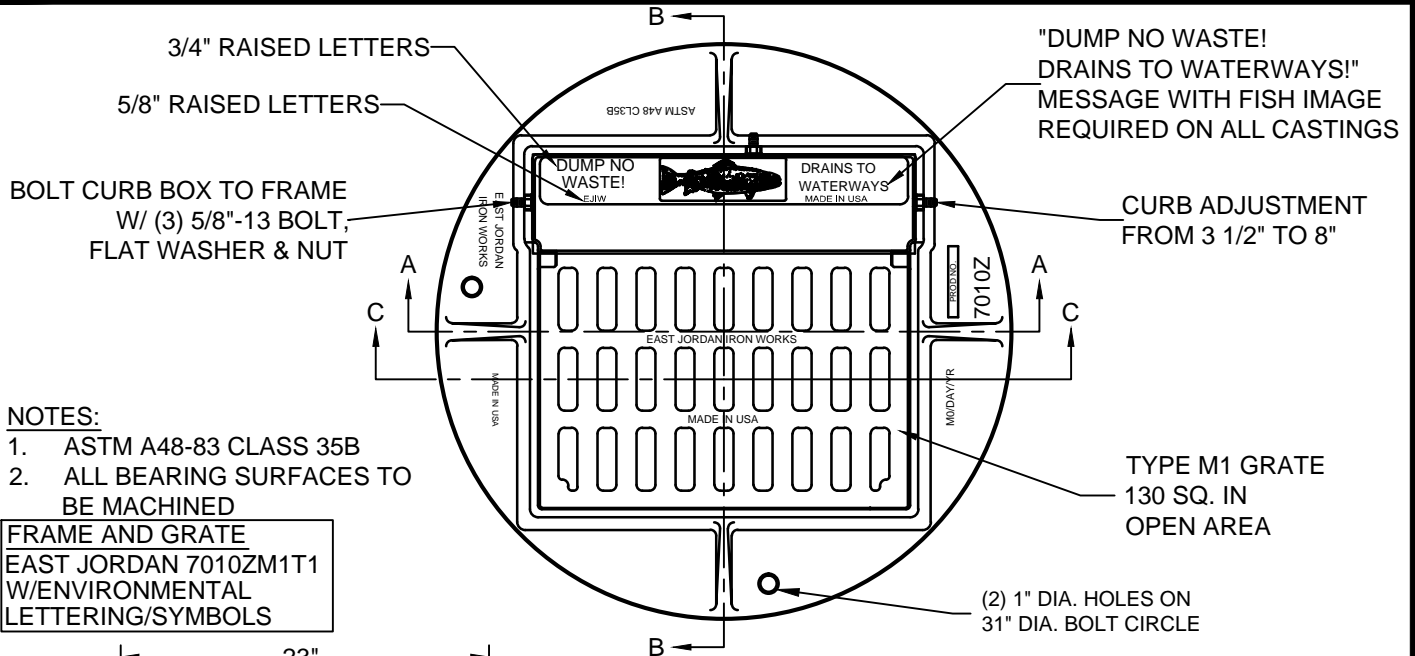


# 2' X 2' CURB AND GUTTER CASTING

Created: January 1, 2002

Revised: October 28, 2015

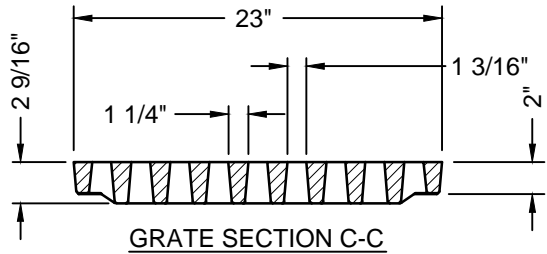
Scale: N.T.S.



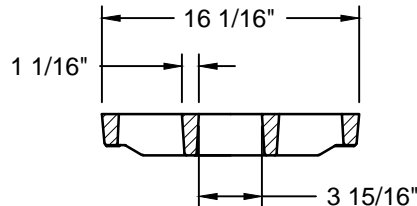
**NOTES:**

1. ASTM A48-83 CLASS 35B
2. ALL BEARING SURFACES TO BE MACHINED

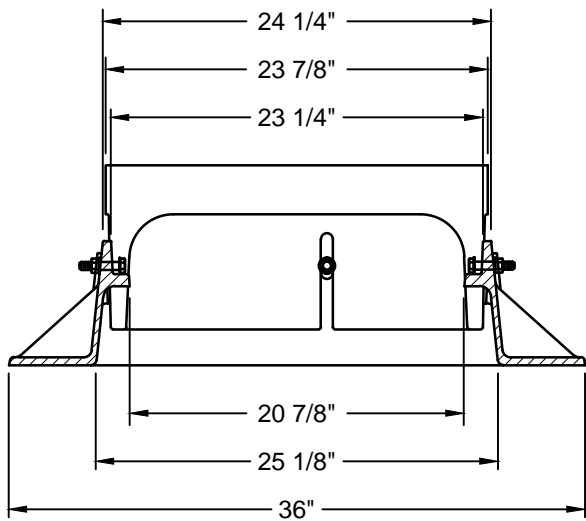
**FRAME AND GRATE**  
EAST JORDAN 7010ZM1T1  
W/ENVIRONMENTAL  
LETTERING/SYMBOLS



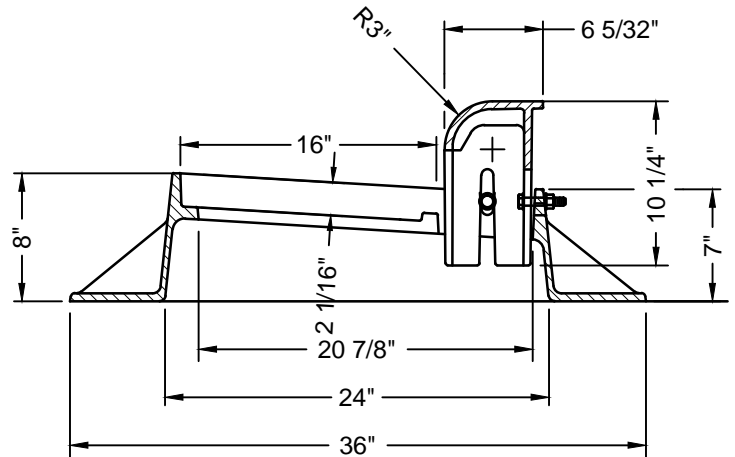
GRATE SECTION C-C



GRATE SECTION B-B

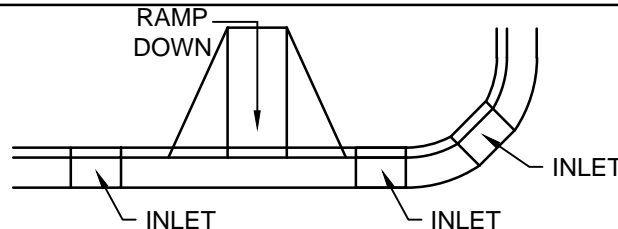


FRAME SECTION A-A



FRAME SECTION B-B

INLET SHALL NOT BE PLACED AT ENTRANCE OF ANY ADA CERTIFIED RAMPS.



SMOOTH TRANSITION TO BE MAINTAINED WHEN PLACING INLET WITHIN CURB RADIUS.