

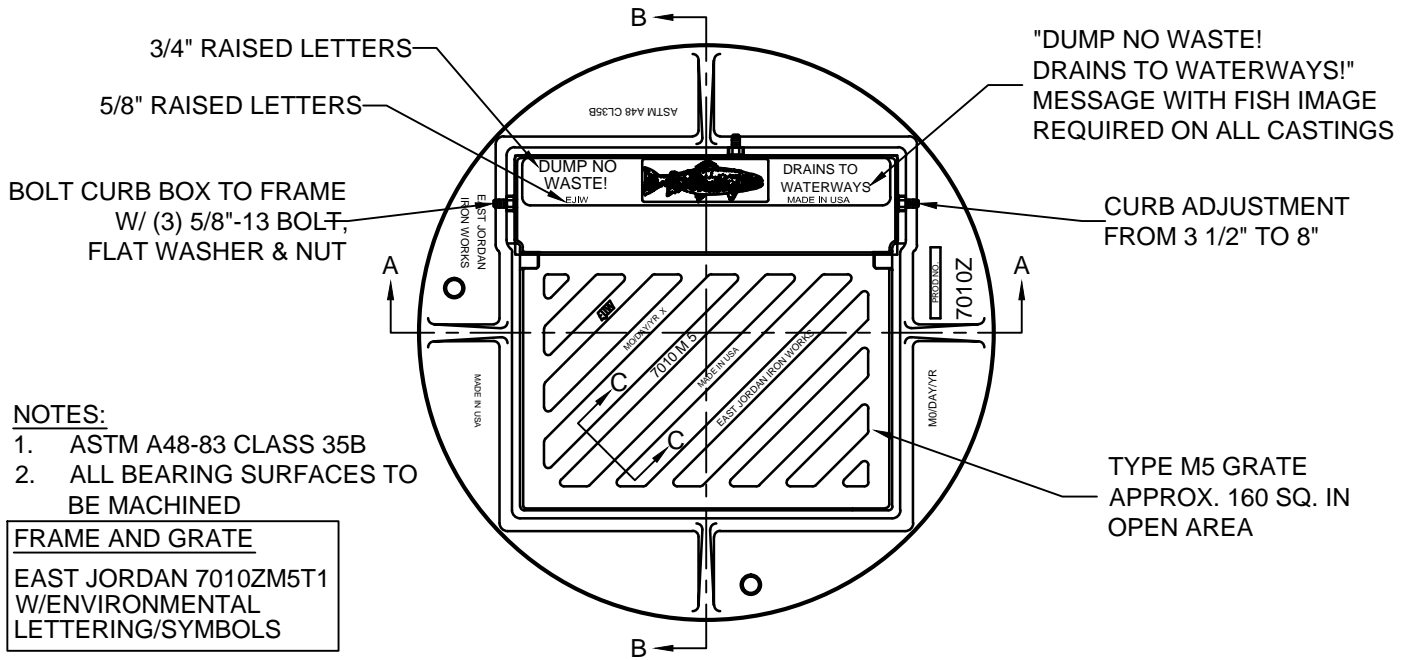


2' X 2' CURB AND GUTTER CASTING

Created: July 14, 2010

Revised: October 28, 2015

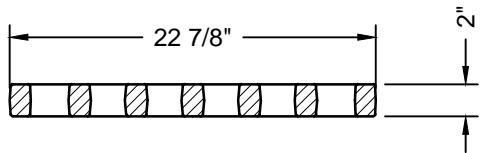
Scale: N.T.S.



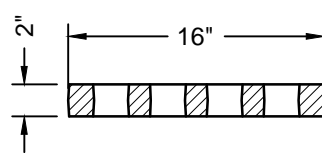
NOTES:

1. ASTM A48-83 CLASS 35B
2. ALL BEARING SURFACES TO BE MACHINED

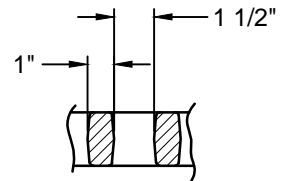
FRAME AND GRATE
EAST JORDAN 7010ZM5T1
W/ENVIRONMENTAL
LETTERING/SYMBOLS



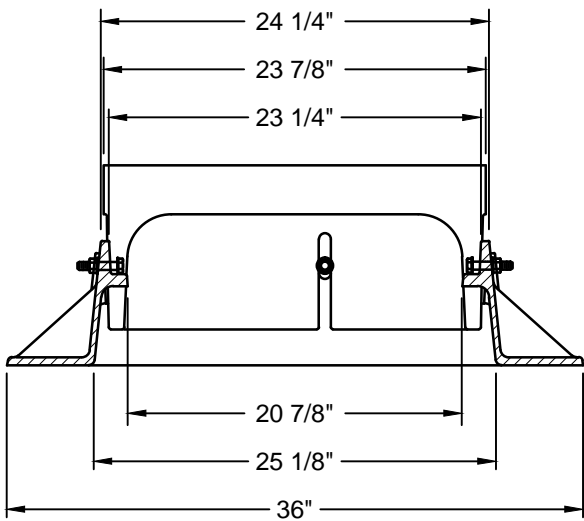
GRATE SECTION A-A



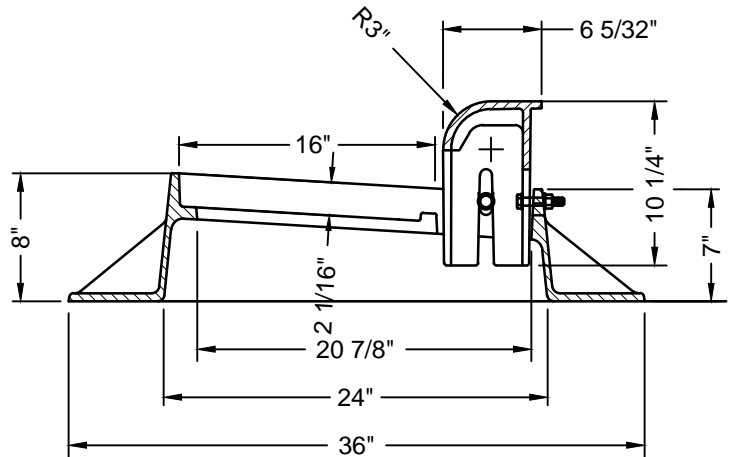
GRATE SECTION B-B



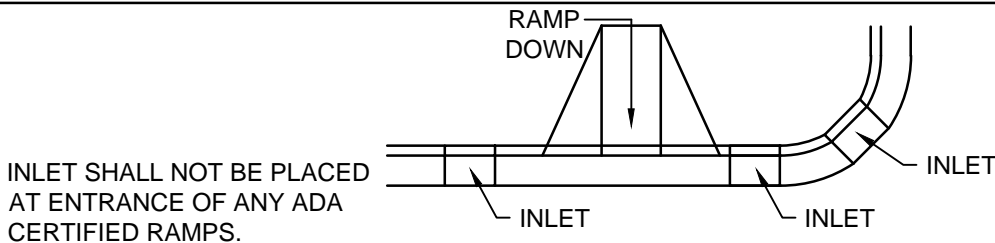
GRATE SECTION C-C



FRAME SECTION A-A



FRAME SECTION B-B



INLET SHALL NOT BE PLACED AT ENTRANCE OF ANY ADA CERTIFIED RAMPS.

SMOOTH TRANSITION TO BE MAINTAINED WHEN PLACING INLET WITHIN CURB RADIUS.