

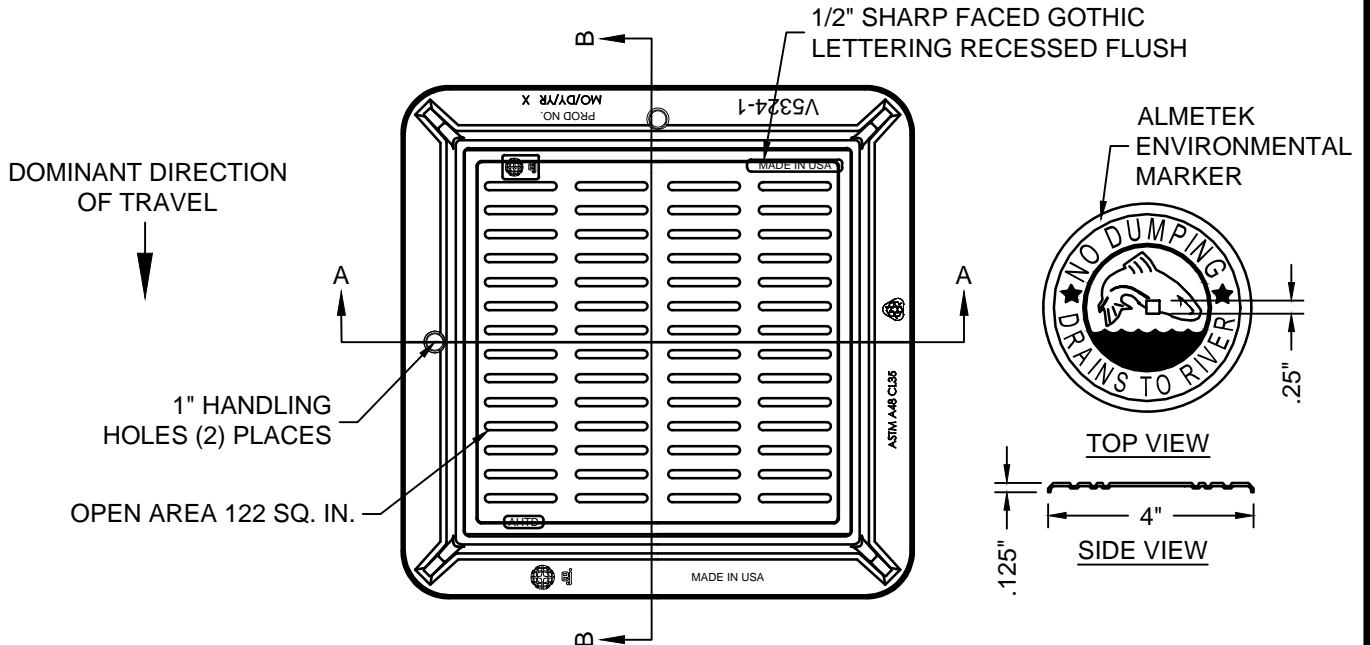


22" X 22" ADA CASTING

Created: June 12, 2017

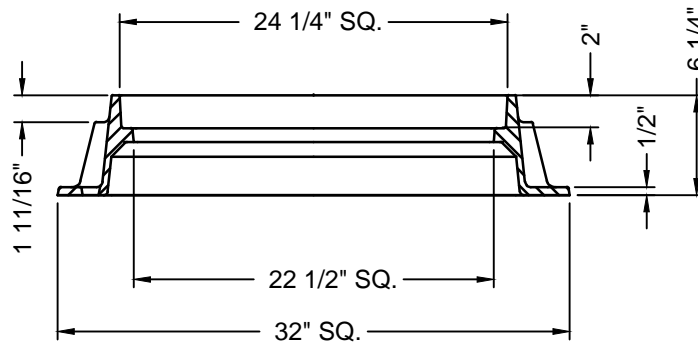
Revised: February 21, 2018

Scale: N.T.S.

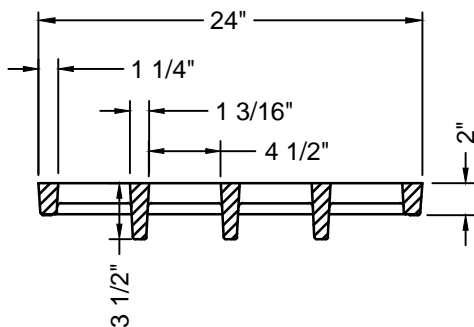


FRAME AND GRATE
 E. JORDAN V5324-1 FRAME W/5424M ADA GRATE
 W/ ALMETEK ENVIRONMENTAL MARKER

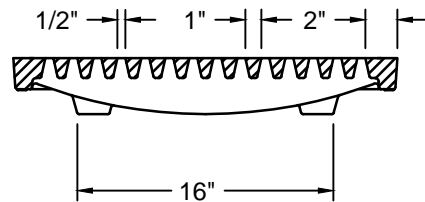
- NOTES:**
1. DESIGN LOAD: HEAVY DUTY
 2. ASTM A48 CLASS 35B
 3. TO BE USED WITH 2' X 2' INLET STRUCTURE
 4. INSTALL ALMETEK ENVIRONMENTAL MARKER WITH CASTING ASSEMBLY



FRAME SECTION



SECTION A-A



SECTION B-B