

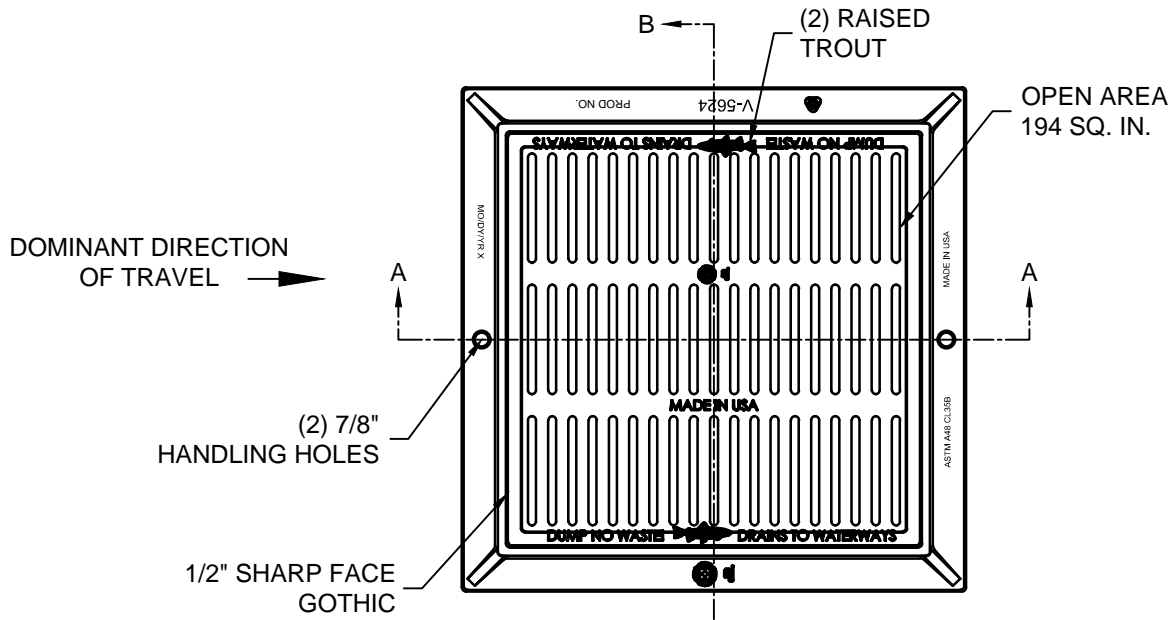


# 24" X 24" ADA CASTING

Created: May 24, 2017

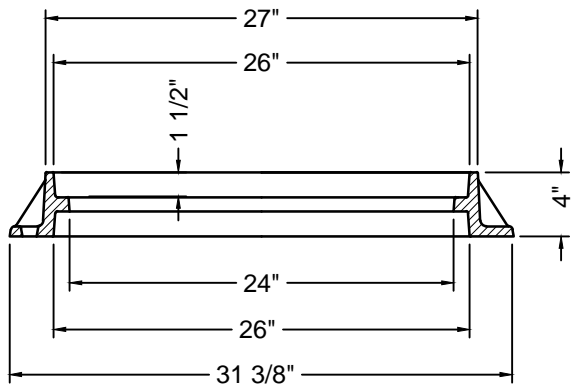
Revised: February 28, 2018

Scale: N.T.S.

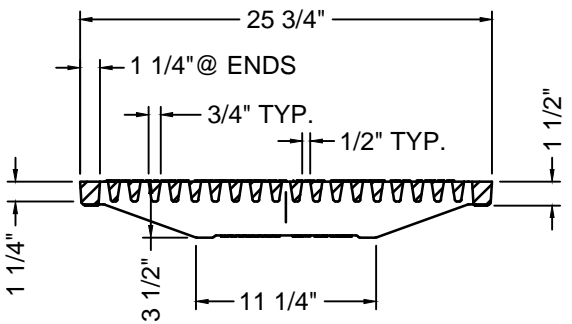


**FRAME AND GRATE**  
EAST JORDAN V5624-80 FRAME & ADA GRATE  
WITH ENVIRONMENTAL LETTERING/SYMBOLS

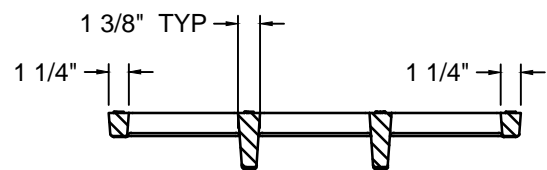
PLAN VIEW



SECTION VIEW A-A & B-B



GRATE SECTION A-A



GRATE SECTION B-B

- NOTES:**
1. ASTM A48 CLASS 35B
  2. DESIGN LOAD: HEAVY DUTY
  3. TO BE USED WITH 2' X 2' INLET STRUCTURE