



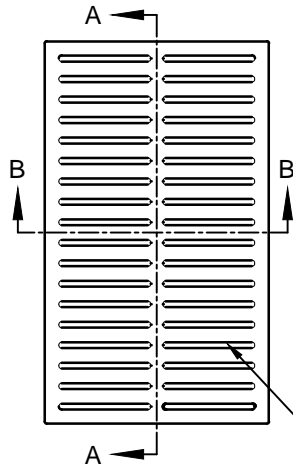
14" X 24" ADA TRENCH GRATE

Created: June 14, 2017

Revised: March 26, 2018

Scale: N.T.S.

DOMINANT DIRECTION
OF TRAVEL



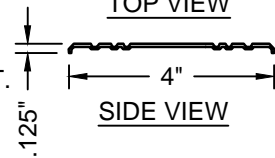
GRATE TOP VIEW

OPEN AREA 39 SQ. IN./FT.

ALMETEK
ENVIRONMENTAL
MARKER



TOP VIEW



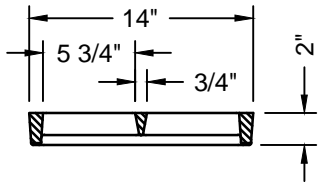
SIDE VIEW

NOTE:

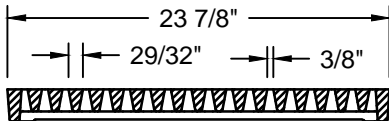
1. SEE TRENCH DRAIN I DETAIL SW-5-1

FRAME AND GRATE

E. JORDAN V-7384 TRENCH GRATE W/6900Z1 TRENCH RAIL
W/ ALMETEK ENVIRONMENTAL MARKER



GRATE SECTION B-B



GRATE SECTION A-A

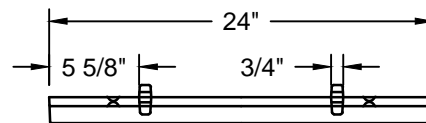
(2) DIMPLES FOR
FORMING NAILS



FRONT VIEW

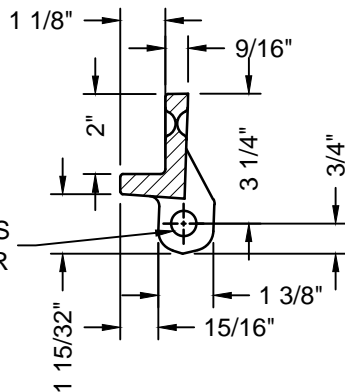


BACK VIEW



TOP VIEW

(2) 5/8" DIA HOLES
FOR #3 REBAR



END VIEW