



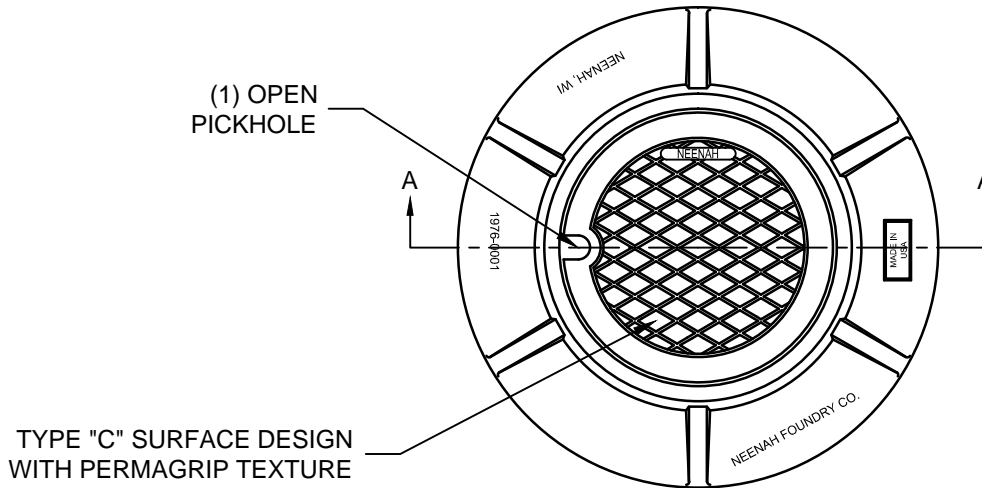
12" CLEANOUT CASTING

Created: January 1, 2002

Revised: June 12, 2014

Scale: N.T.S.

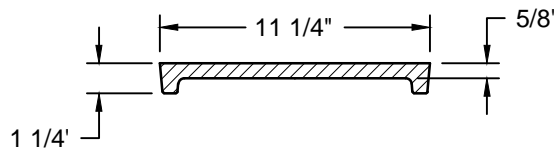
Approved: May 16, 2012



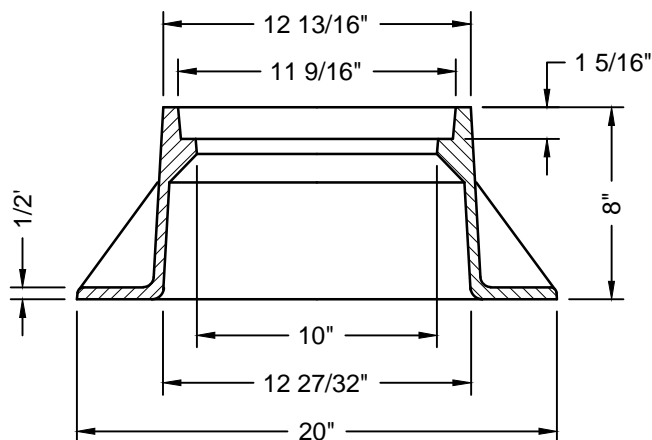
NOTES:

1. ASTM A48-83 CLASS 35B
2. ALL BEARING SURFACES TO BE MACHINED

FRAME AND SOLID LID
NEENAH R-1976 FRAME & SOLID LID



SOLID LID SECTION A-A



FRAME SECTION A-A