

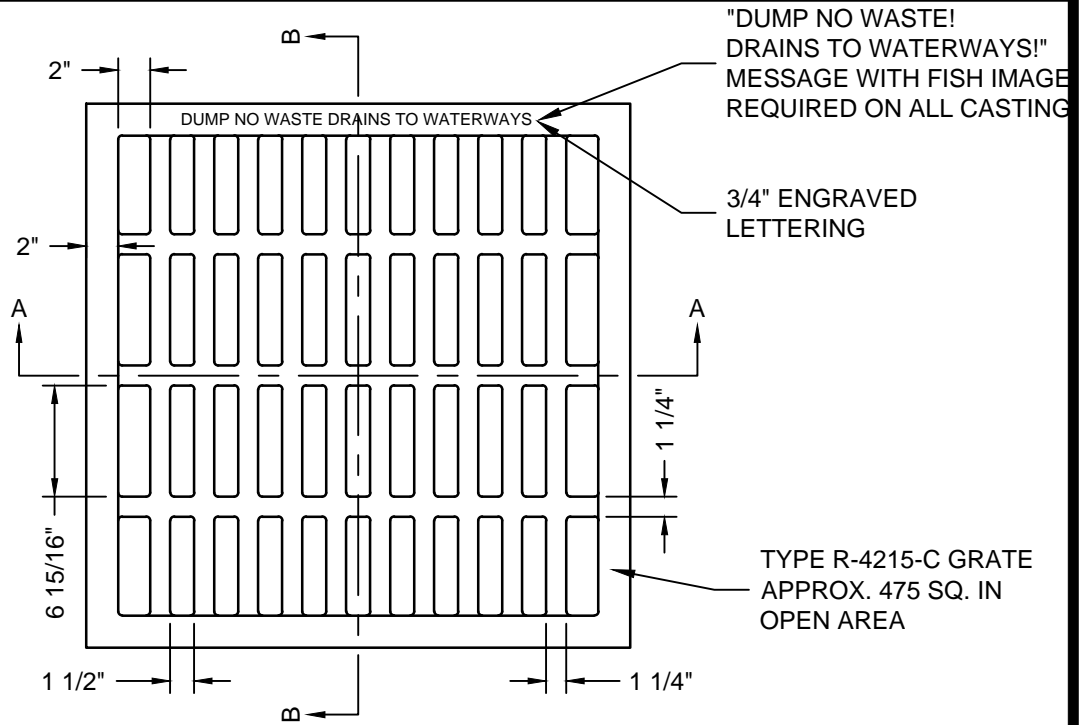


30" X 30" BEEHIVE GRATE

Created: January 1, 2002

Revised: October 23, 2015

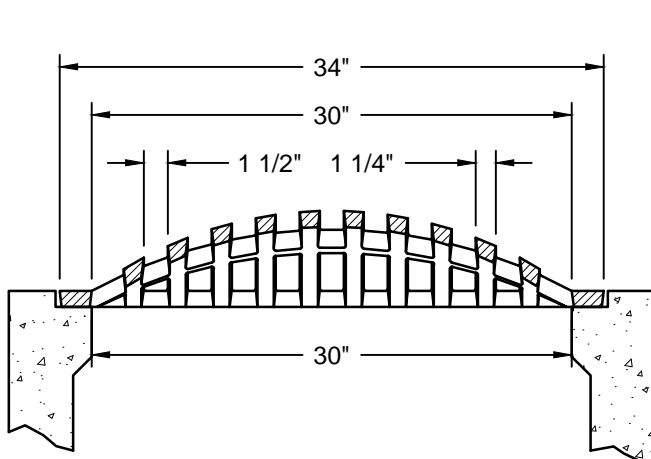
Scale: N.T.S.



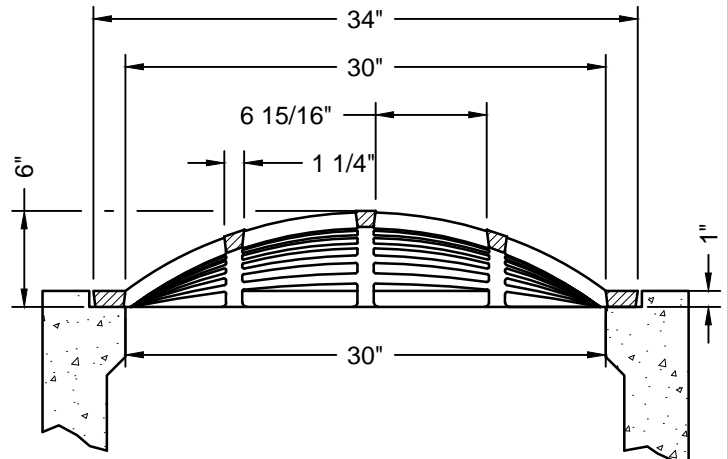
NOTES:

1. ASTM A48-83 CLASS 35B
2. ALL BEARING SURFACES TO BE MACHINED

GRATE
NEENAH R-4215-C GRATE
W/ENVIRONMENTAL LETTERING/SYMBOLS
(NON-TRAFFIC APPLICATION ONLY)



GRATE SECTION A-A



GRATE SECTION B-B