



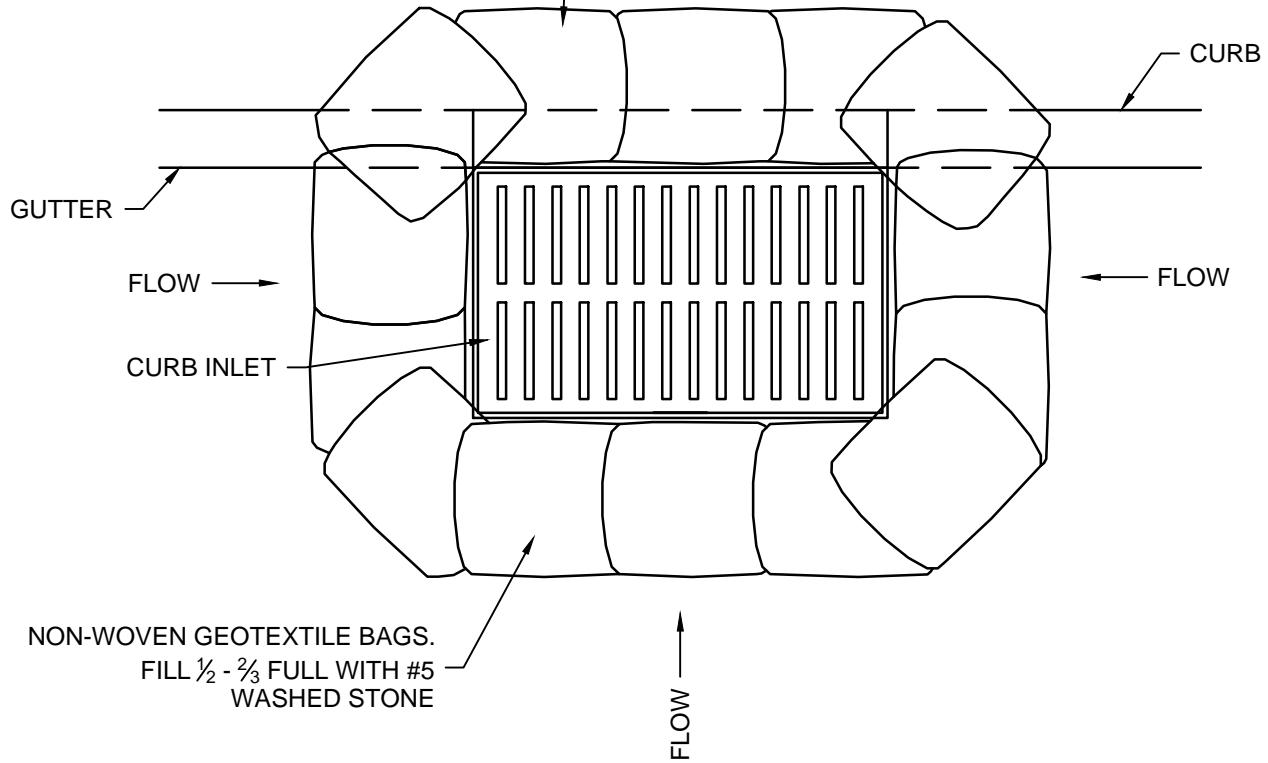
# TEMPORARY INLET PROTECTION STONE BAGS RING - SUMP WITH CURB

Created: January 11, 2012

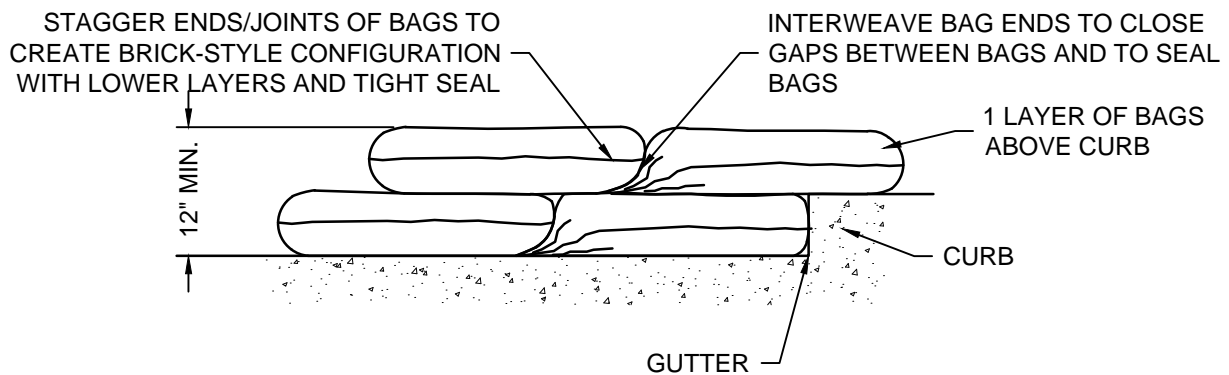
Revised: January 19, 2017

Scale: N.T.S.

INSTALL ADDITIONAL STONE BAGS OR  
SILT FENCE IF PERMANENT STABILIZATION  
OF DISTURBED AREA BEHIND CURB IS  
NOT COMPLETE



PLAN VIEW



ELEVATION VIEW

NOTES:

1. REMOVE INLET PROTECTION WHEN THE CONTRIBUTING DRAINAGE AREAS HAVE BEEN STABILIZED.