

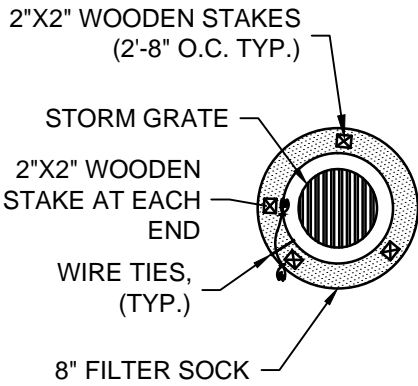


TEMPORARY INLET PROTECTION FILTER SOCK

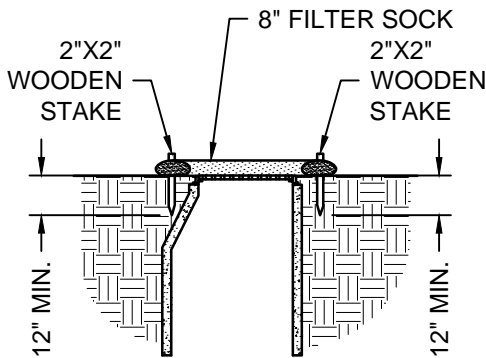
Created: February 28, 2012

Revised: January 19, 2017

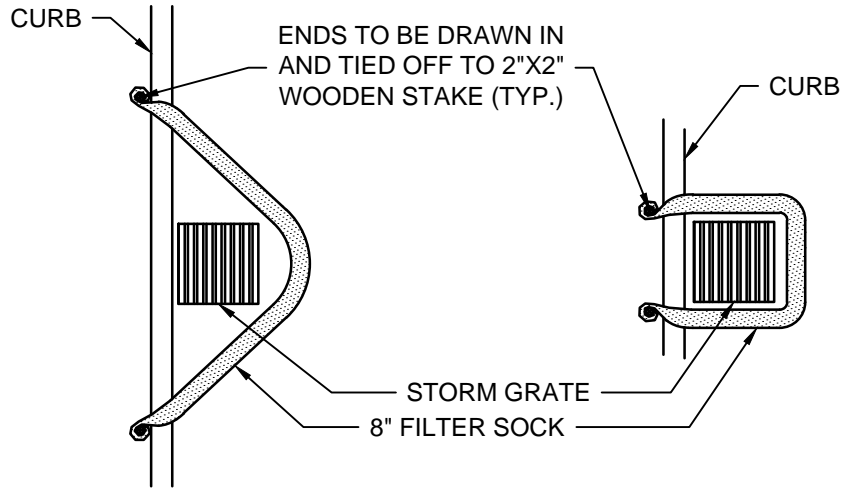
Scale: N.T.S.



INLET WITHOUT CURB PLAN VIEW
(OPTION 'A')

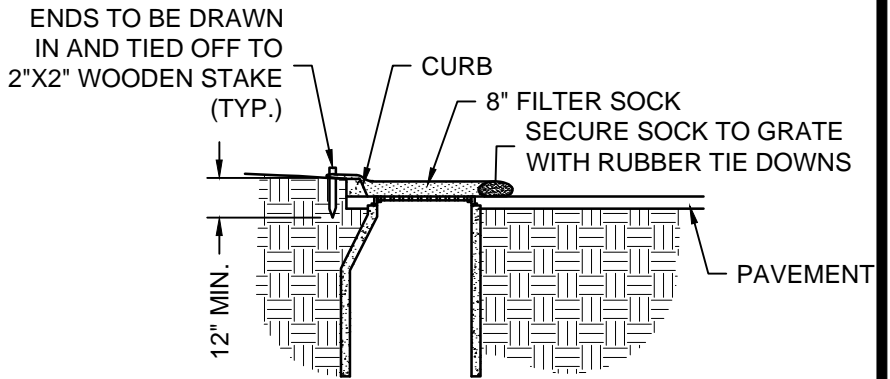


INLET WITHOUT CURB SECTION VIEW
(OPTION 'A')

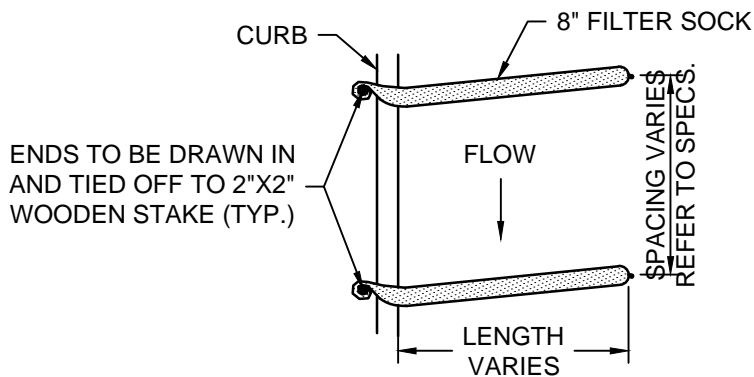


CURBSIDE INLET PLAN VIEW
(OPTION 'B')

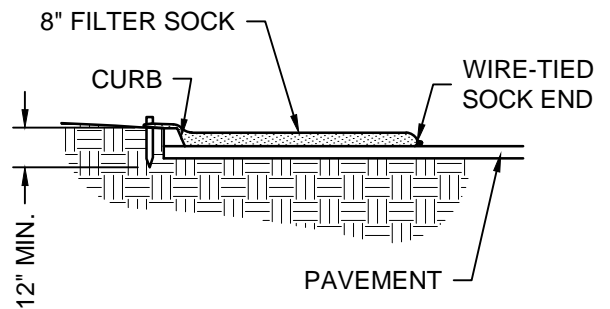
CURBSIDE INLET PLAN VIEW
(OPTION 'C')



CURBSIDE INLET SECTION VIEW
(OPTION 'B' & 'C')



CURBSIDE PLAN VIEW
(OPTION 'D')



CURBSIDE SECTION VIEW
(OPTION 'D')

NOTES: (FOR ALL OPTIONS)

1. ALL MATERIAL TO MEET FILTREXX SPECIFICATIONS.
2. FILTER MEDIA FILL TO MEET APPLICATION REQUIREMENTS.
3. COMPOST MATERIAL TO BE DISPERSED ON SITE, AS DETERMINED BY CITY UTILITIES ENGINEER.
4. OPTION 'D' SHOULD NOT BE USED DIRECTLY UPSLOPE FROM DRAIN INLETS.
5. OTHER EQUIVALENT PRODUCTS MAY BE USED WITH PRIOR APPROVAL FROM ENGINEER.