

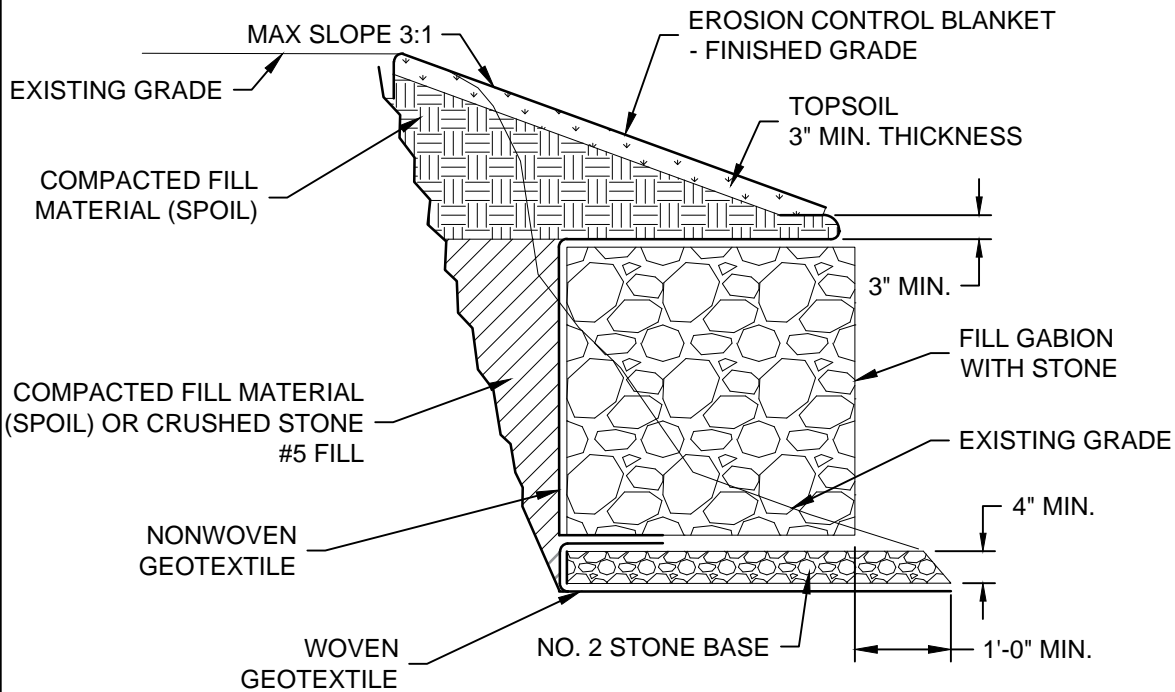


# DITCH/RIVER/LAKE SHORE PROTECTION GABIONS

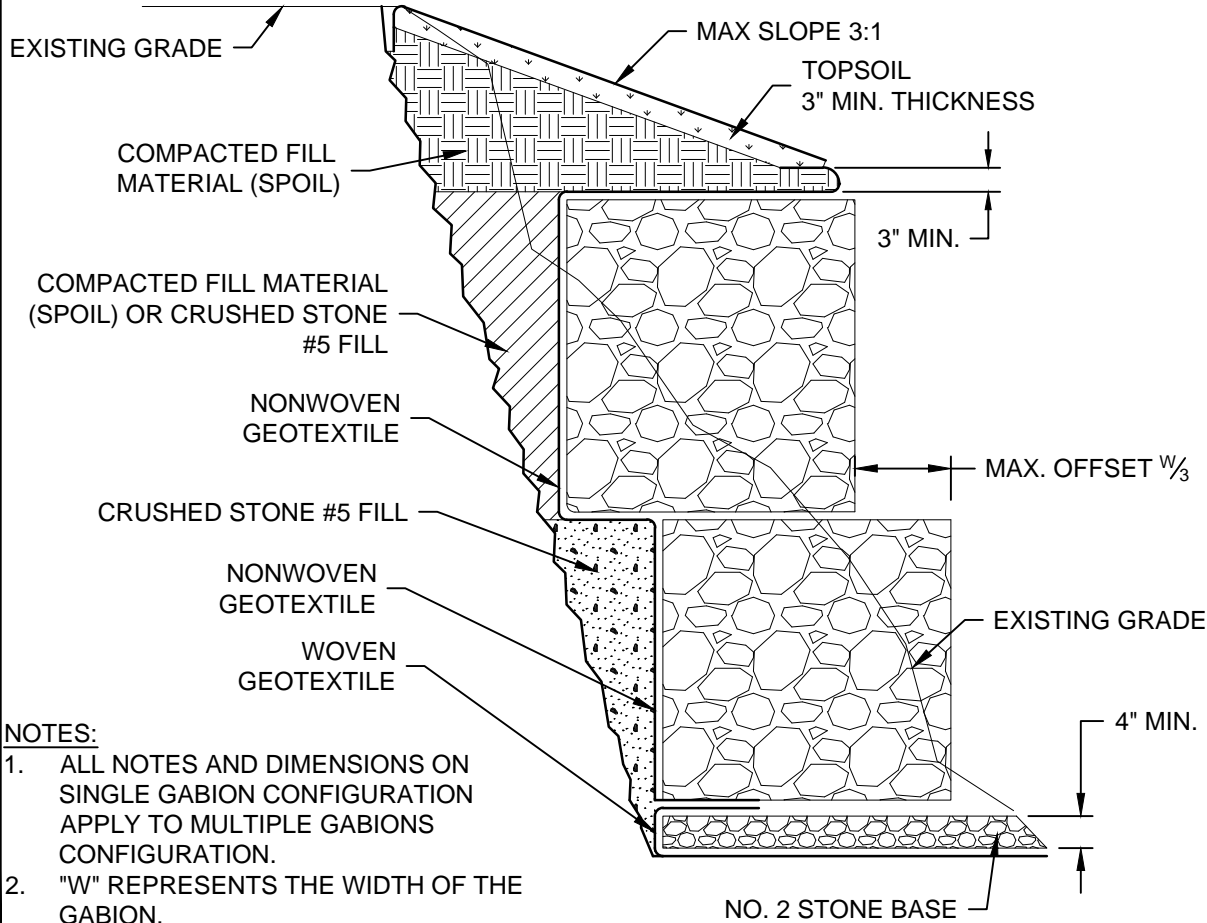
Created: February 22, 2012

Revised: February 26, 2018

Scale: N.T.S.



**SINGLE GABION**



**NOTES:**

1. ALL NOTES AND DIMENSIONS ON SINGLE GABION CONFIGURATION APPLY TO MULTIPLE GABIONS CONFIGURATION.
2. "W" REPRESENTS THE WIDTH OF THE GABION.
3. REFER TO TECHNICAL SPECIFICATIONS FOR GABION STONE FILL REQ

**MULTIPLE GABIONS**