

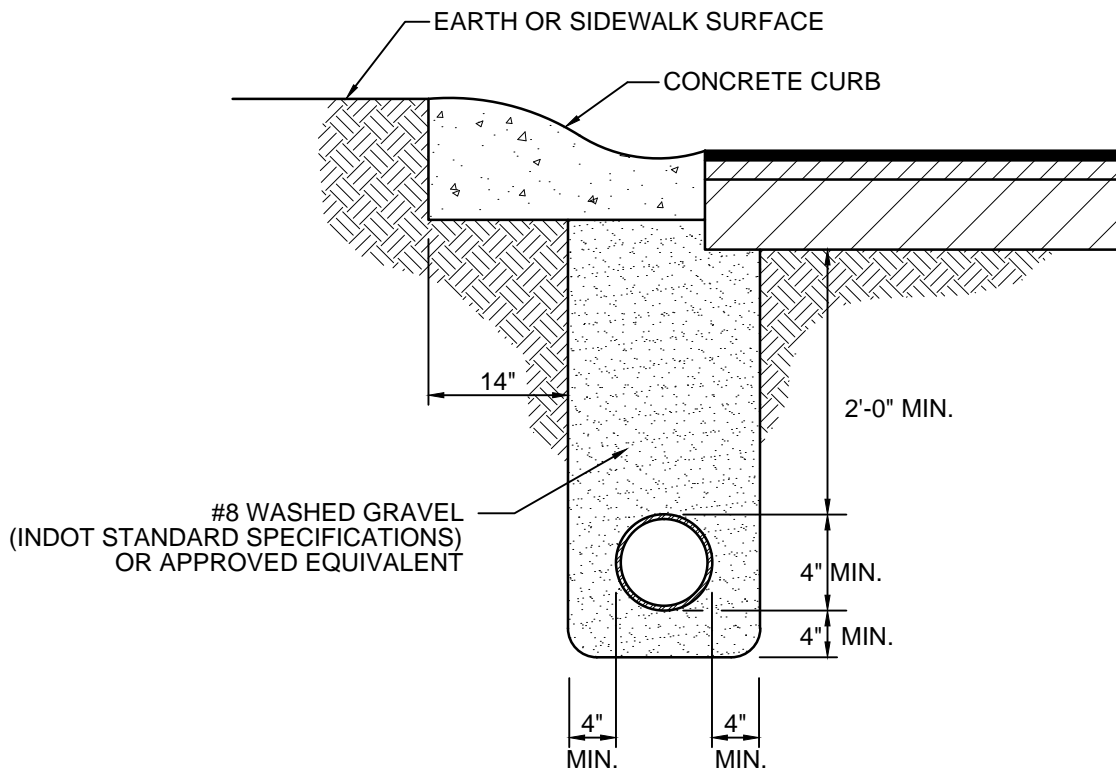


# CURB UNDERDRAIN

Created: January 1, 2002

Revised: August 12, 2013

Scale: N.T.S.



INSTALLATION REQUIRED ON BOTH SIDES OF PAVEMENT