

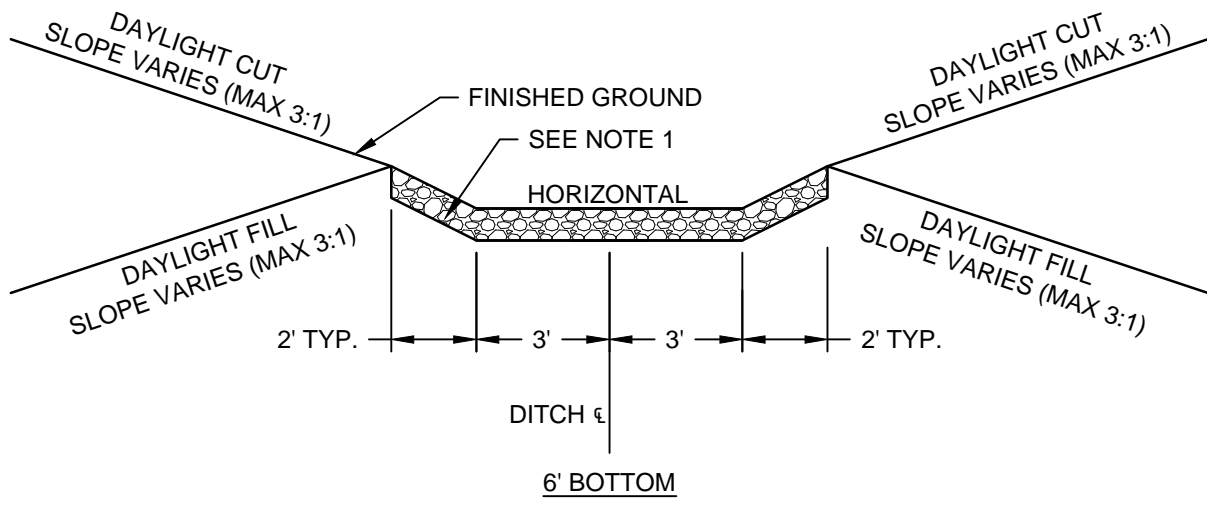
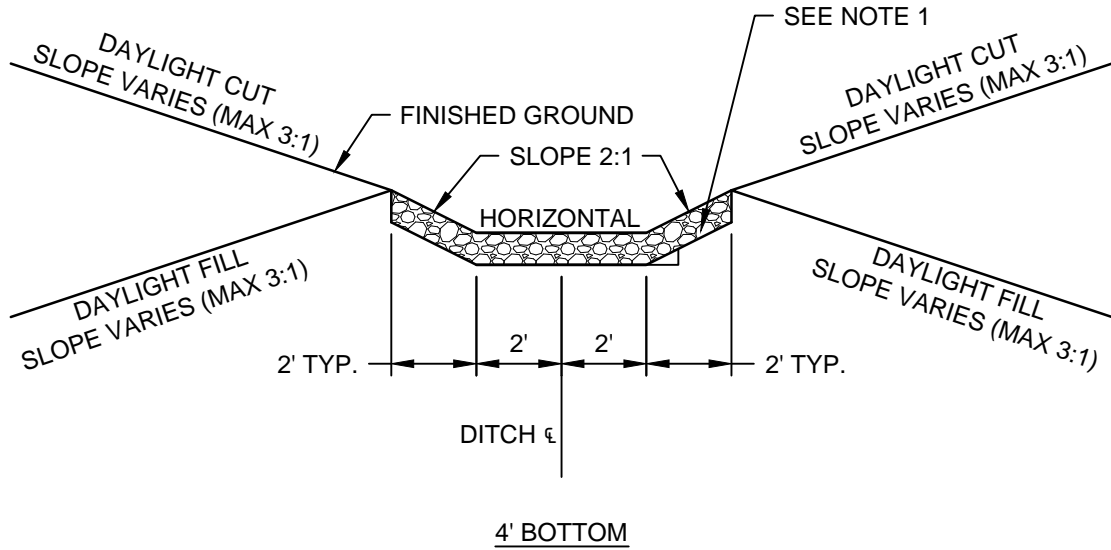


# RIPRAP DITCH

Created: November 27, 2012

Revised: October 28, 2015

Scale: N.T.S.



**NOTES:**

1. RIP-RAP SHALL HAVE A MINIMUM DEPTH OF 18 INCHES (SEE SPEC 30 0 05, PART 2, F&G)
2. DAYLIGHT LINING MATERIAL SHALL BE EITHER SEEDS GRASS OR RIP-RAP AS SHOWN ON THE PLAN SHEETS.