



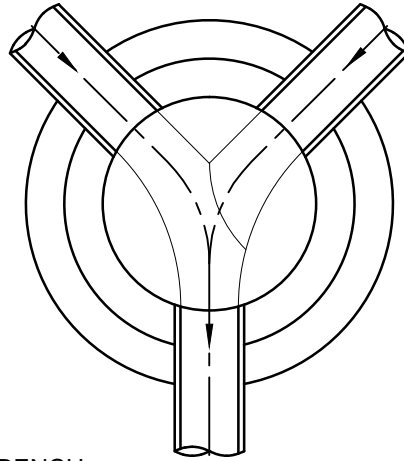
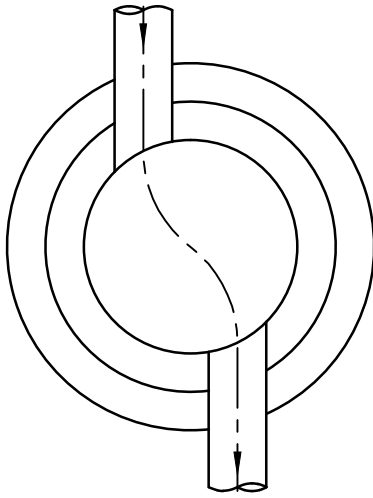
POURED CHANNEL SHAPES II

Created: January 1, 2002

Revised: July 29, 2014

Scale: N.T.S.

Approved: May 16, 2012



SANITARY SEWER BENCH
SLOPE = 1/2" PER FOOT

