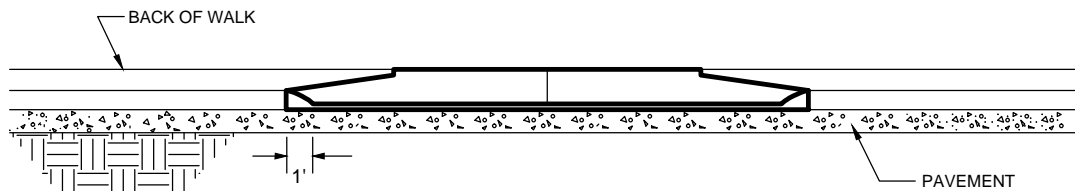
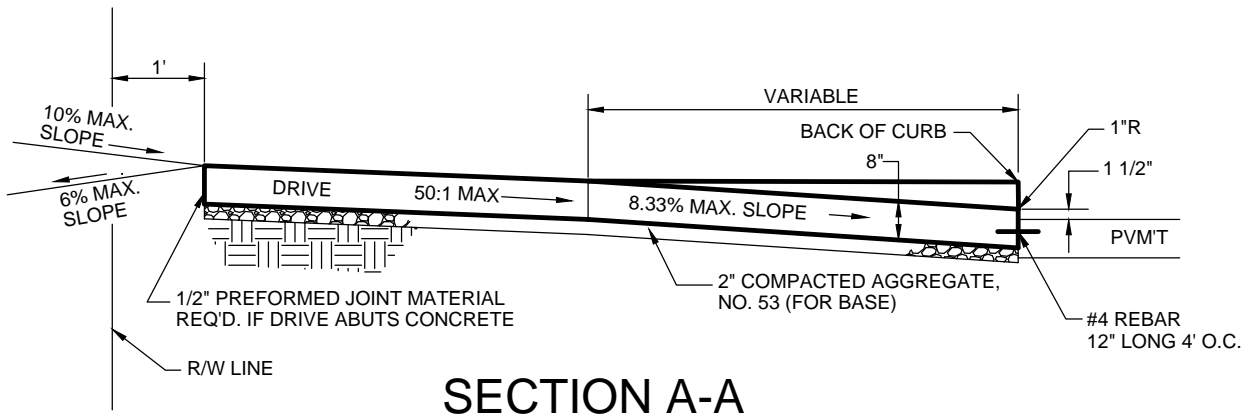
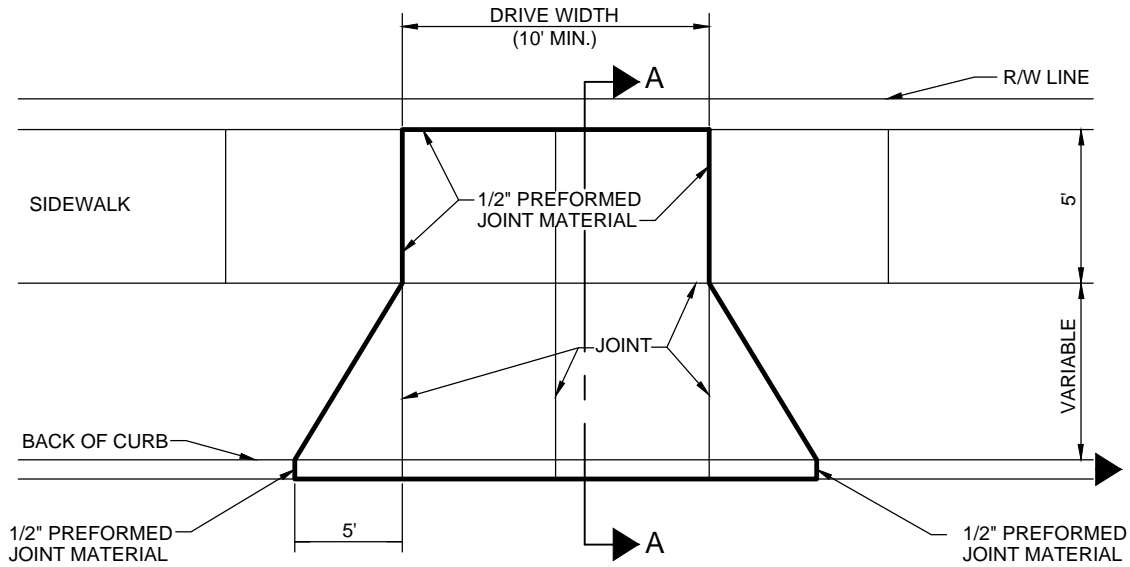




ALLEY DRIVE APPROACH

NOT TO SCALE



CURB ELEVATION