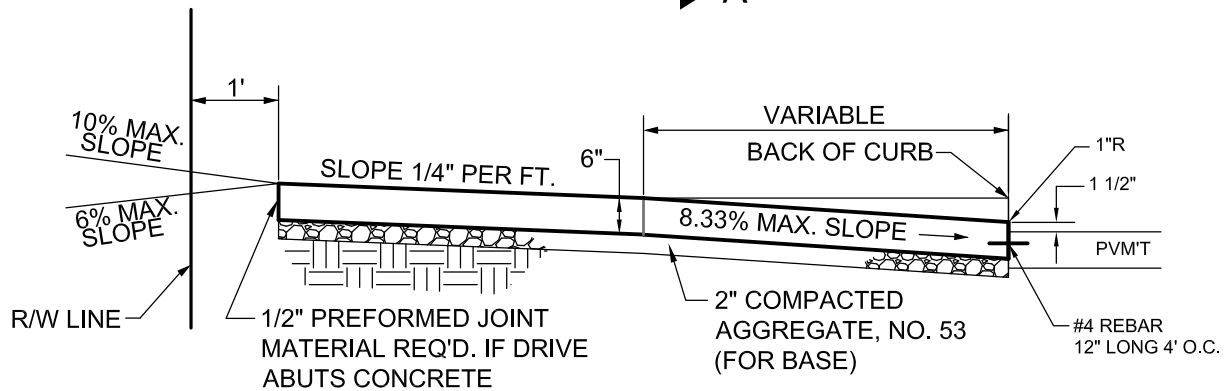
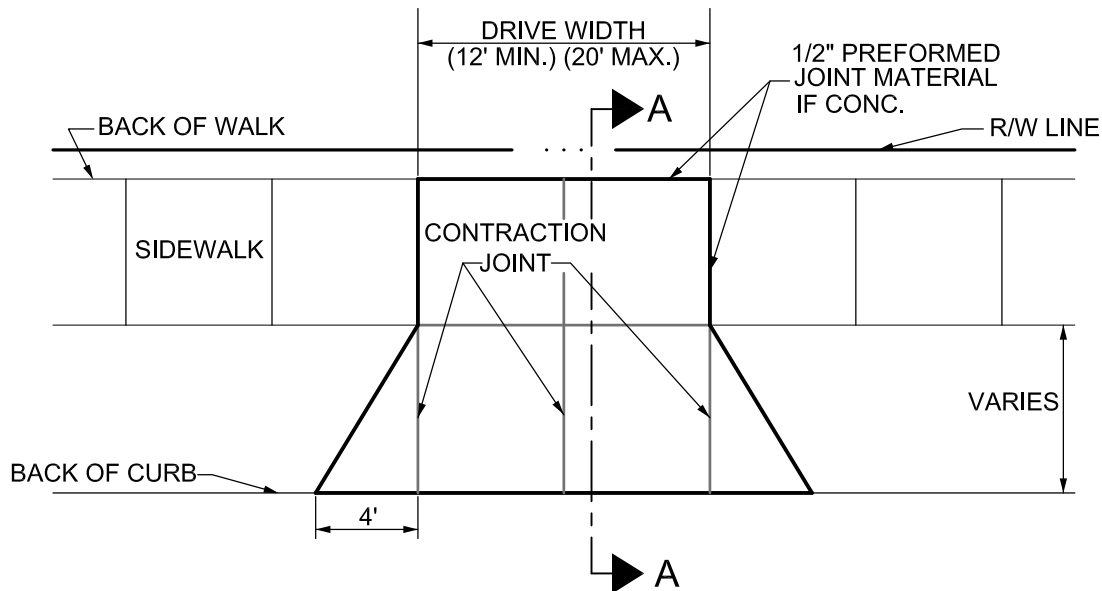




RESIDENTIAL DRIVE APPROACH

NOT TO SCALE



SECTION A-A



CURB ELEVATION