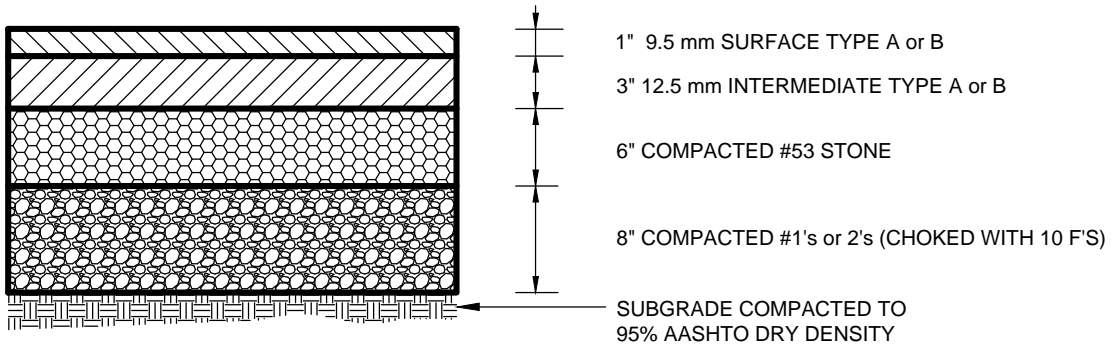




COLLECTOR / LIGHT INDUSTRIAL PAVEMENT SECTION (NEW CONSTRUCTION)

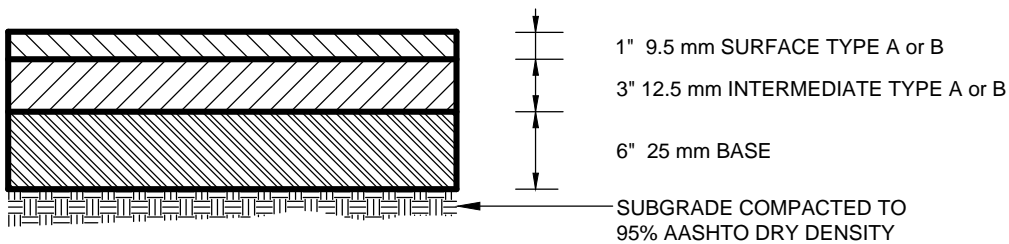
ASPHALT / STONE OPTION

NOT TO SCALE



FULL DEPTH PAVEMENT OPTION

NOT TO SCALE



CONCRETE PAVEMENT OPTION

NOT TO SCALE

